

SPECIALIST RANGE

Setting new standards in kitchen style and performance



MAKE IT WONDERFUL

FRANKE

SIMPLE STEPS TO YOUR PERFECT KITCHEN

From ultra-modern to traditional shaker style, we think that completing your perfect kitchen should be as easy as possible, so this brochure is designed to offer you all the information and inspiration you need to make a selection that complements the way you use your kitchen.

Your handy checklist to choosing your perfect Franke products:

Choosing a sink

- Measure the cabinet width of your kitchen
- Choose the material of sink
- Choose bowl configuration of sink.
If choosing an inset sink, check on the sink profile options.
If choosing an undermount sink, decide how you want the worksurface cutting to suit

Adding accessories and extras

- Choose from a range of complementary accessories
- Check which plumbing kit you need to buy to connect the sink to your waste system

Choosing a tap

- Choose from the full range of taps, including instant boiling water and filtered taps
- Check with your retailer/installer that your water pressure requirements will work with your chosen tap

Choosing a hood

- Choose from the full range of hoods, which covers a wide variety of installation options.
- Ensure your chosen hood has a power rating that is suited to the size of your kitchen (see page 77).

Solutions for your ideal kitchen

- Explore our range of waste disposers
- Discover how a waste sorter could make your life easier

Simple pricing

All the prices in this brochure are inclusive of VAT, so the price you see is exactly the price you'll pay.

Sinks

CABINET WIDTH



The cabinet width measurement denotes the measurement which the sink bowl(s) need to fit into.

SINK STYLE OPTIONS



Inset: The frame of an inset sink sits on top of the worksurface.

Compatible with any worksurface, including laminate worktops.



Undermount: An undermount sink is installed underneath the worktop, only compatible with solid surface worktops such as granite or solid wood.



Belfast: Belfast sinks are installed either 'dropped-on' to a purpose built cabinet or by using installation brackets.

INSET SINK PROFILES



Standard: Edge is rolled over to meet the worktop.



Swiss-edge: Edge has a built-in water-protection seal.



Slim-Top: Edge sits flat on the surface of the worktop.

BOWL CONFIGURATION



LHD or RHD: This indicates whether the drainer on the sink is found to the left or to the right of the main bowl.



REV: These reversible designs have a tap hole at the front and back, giving you the freedom to position the sink to provide either a left or right handed drainer.



LHSB & RHSB: For sinks without a drainer but with more than one bowl, this indicates which side the small bowl is positioned.

SINK EXTRAS



Waste Disposal Unit Compatibility: Choice of four units.



Patented Hygienic Overflow: Indicates the sink features a Hygienic Overflow which offers versatility for cleaning.



Plumbing Set Connector included: Some Franke granite 1½ bowl sinks contain a plumbing set connector linking the 2 bowls.

PLUMBING KIT COMPATIBILITY



Siphon 1: Compatible with a single bowl sink.



Siphon 2: Compatible with 1½ bowl and 2 bowl sinks.



Siphon 3: Compatible with 3 bowl sinks.

GUARANTEE



50 Years: Every Franke sink is backed by a 50-year guarantee for your peace of mind.

Taps

WATER PRESSURE



Suitable for Low Pressure Systems: Indicates this tap will work with a low pressure system, delivering at least 4 litres per minute of hot water at 0.3 bar pressure.

FEATURES



LED Lighting: Spout houses LED lights to provide ambient lighting.

SPRAY & NOZZLE TYPES



Pull-Out Spray: Features a pull-out spray, useful for directional rinsing.



Hand Spray: Hand spray mounted into the worktop providing mixed water.



Side Spray: Side spray mounted into worktop providing cold water.



Pull-Out Nozzle: Features a pull-out nozzle, useful for directional rinsing.



Directional Nozzle: The end of the tap can be manipulated in any direction.

WATER OPTIONS



Perlator: Mixes air into the water to give a champagne like flow.



Filtered Water: Dispenses filtered water.



Instant Boiling Water: Dispenses 100°C boiling water.

GUARANTEES



5/5 Years: 5 Years on valve mechanisms and 5 years coatings and finishes.



5/1 Years: 5 years on valve mechanisms and 1 year coatings and finishes.

Hoods

MOTORS & FILTERS



Charcoal Filters: Choose the correct filter for your hood, if it is to be used in recirculatory mode



Types of the motor: Denotes the motor type within the hood.



Filtering Function: Can be installed where no external flue is available.



Filter Saturation Indicator: Indicator light shows when the filter requires maintenance.

FEATURES



Sound Insulation: Indicates the noise level produced by the hood.



Extraction Speed Settings: Motor speed settings. Some models also have an intensive setting for short bursts of extraction when required.



Perimetric Extraction: Offers superior efficiency where air flows around the perimeter of the hood panels.



Continuous 24 Hour Ventilation: Provides a constant flow of clean air through the kitchen.



Anti-condensation Technology: Heated glass to prevent condensation.



Easy-Fit System: Installation is simple with this innovative mounting system.

ADDITIONAL FEATURES



Digital Display: Illuminated digital display featured on some electronic and touch control models.



Comfort Light: Provides subtle ambient light in the kitchen.



Remote Control: Denotes a model where a remote control operating unit is optional.



Automatic Cut Off Timer: A useful feature is you want to leave the hood running a short while after leaving the kitchen.



Greenline Technology: up to 85% energy saving versus a standard motor.

GUARANTEE



24 Months: A 24 month guarantee covering parts and labour on all Franke hoods offers complete peace of mind.

Waste Disposal Unit Guarantees



Waste Disposal Unit
8 Years Warranty.



Waste Disposal Unit
10 Years Warranty.



Waste Disposal Unit
Lifetime Warranty.



Kubus KBK 160 sink with Mythos MTX Chrome tap



MAKE IT WONDERFUL WITH THE FRANKE SPECIALIST RANGE

It's easy to be ordinary; to have an ordinary home, filled with things you neither love nor hate. But you should never settle for ordinary and that's why we want to make everything we make wonderful. Wonderful turns a house into a home and turns work into play. Every Franke product aims to be wonderful in every way; from the first glimpse of carefully considered design, to manufacturing standards that ensures you can feel the quality and craftsmanship of every piece.

This brochure captures the spirit of wonderful in order to captivate and inspire you. A comprehensive range of sinks, taps, decorative hoods and accessories can help turn an everyday kitchen extraordinary and turn a daily chore into a guilty pleasure.

Let everyone else be ordinary. Let's make it wonderful.

Be inspired

We are constantly thinking of new ways to make our range even better, adding new products, new ideas and new innovations. Keep up to date with it all on our Facebook and Twitter pages.

 www.franke.co.uk

 facebook.com/FrankeUK

 twitter.com/FrankeUK

 pinterest.com/FrankeUK

*Make
it
Wonderful*

CONTENTS

Guide to your Franke brochure	4
Specialist Range sinks	22
Specialist Range taps	60
Kitchen Solutions	77
Specialist Range hoods	82
Specifications	96



OVER ONE HUNDRED YEARS OF PASSION

Making something wonderful rarely happens overnight, and Franke has been pushing the boundaries for over 100 years. Founded in 1911, Franke was built on a foundation of precision engineering, combined with traditional craftsmanship. Over 100 years later, those principles endure, while a focus on the changing needs and lifestyles of our customers has helped us become the world's largest manufacturer of kitchen sinks.

Swiss precision engineering

The Franke story began as a small sheet-metal business in Rorschach, Switzerland, established by Hermann Franke in 1911. Since then, we've established efficient and economic manufacturing facilities all around the world.

Many things have changed in the past century, but what is always the same is a set of values, characterised by respect, trust and openness. The values of innovation, entrepreneurship, quality and stylish design were in the heart of Hermann Franke and continue to be at the heart of the business, as we enter a second century of smart and stunning design.

GUARANTEED FOR HALF A CENTURY OF WONDER

Once you've realised the kitchen of your dreams, it's only natural you want to retain it for as long as possible. To do that, you need reliable products of outstanding quality and Franke is guaranteed never to let you down. A huge 50-year guarantee on our sinks means that your Franke sink will be with you through those big moments in life and be part of your family for a generation or more.



We're confident, so you can be too

Few other manufacturers can offer such a promise to you and that's because we are dedicated to the highest standards of design and craftsmanship. Our guarantee protects your sink against manufacturing defects for half a century.



Great guarantees on our other products

You also have the peace of mind of a superb guarantee on our taps, which protects against defective materials and workmanship in the valve mechanism for 5 years and covers you for coatings and finishes for 1 year (5 years for the Portfolio 55 Collection).

Our waste disposal units carry an 8-year guarantee as a minimum - which is unmatched by any other brand - with some models benefitting from a 10-year or even a lifetime guarantee. All Franke hoods are guaranteed for 2 years against material and manufacturing defects.

Full details of our guarantees can be found on our website, but no matter which Franke product you choose, you can look forward to many years of trouble-free use. It's a product that stays in your family home so long, it's almost part of the family.



Omni 4-in-1 Stainless Steel instant boiling water tap



Franke More in Store

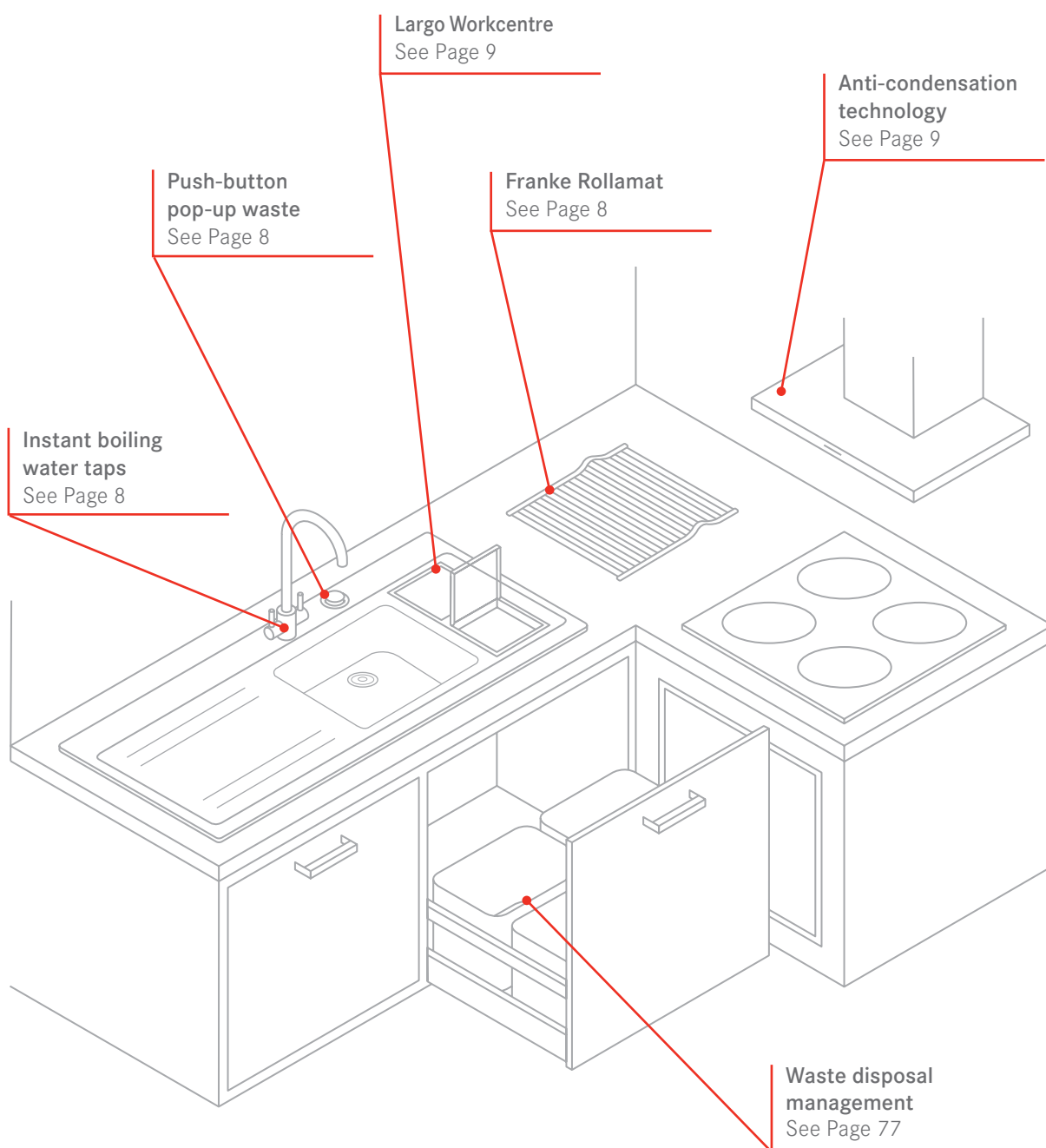
We believe that the best place to buy our products is in store. That's because you get a friendly face to listen to and offer expert advice. You also get an unrivalled opportunity to see and feel the quality of Franke for yourself.

That's why we created More in Store, an initiative to support our retailers in giving you great service and the best possible buying experience. What it means for you is more choice, better quality, more knowledge and unbeatable after sales support. Look out for stores displaying this logo and you will be assured of genuine, quality products and the high level of service you would expect. Find your nearest Franke retailer by using the Dealer Locator at www.franke.co.uk



INNOVATION IS IN OUR DNA

We continue to be passionate innovators and our aim is to constantly improve the look and usability of our designs. Staying at the forefront of the industry is vitally important to us, so we have continually enhanced manufacturing techniques and made pioneering use of new materials to explore exciting new design possibilities. This means our range is always evolving to include the very highest levels of form and function.





Franke Rollamat



The patented Franke Rollamat is a handy accessory, which can be used to drain glasses or crockery, but also doubles as a trivet to protect the work surface from hot and heavy cookware straight from the oven, hob or grill. When not in use, this innovative accessory can be rolled up and conveniently stored away. The Rollamat can be used on any work surface and therefore with any undermount sink, but will specifically fit the drainer on certain inset sinks.

ROLLAMAT	COMPATIBLE SINKS	SIZE	FUN No.	PRICE
Rollamat 30	SNX	298x410mm	112.0256.867	£67
Rollamat 38	MTK	383x344mm	112.0050.989	£67
Rollamat 40	KBV, MTG, MMX, PPX	400x400mm	112.0050.988	£67
Rollamat 42		468x420mm	112.0030.882	£67
Rollamat 44	PKX Undermount	468x440mm	112.0080.355	£67
Centinox	CEX (flat rods)	315x426mm	112.0173.411	£76



Push-button pop-up waste

A pop-up waste enables you to conveniently empty the bowl without putting your hands in the sink. The patented push-button system from Franke has been tested to not only give you an extremely robust feature, but it also looks great too.

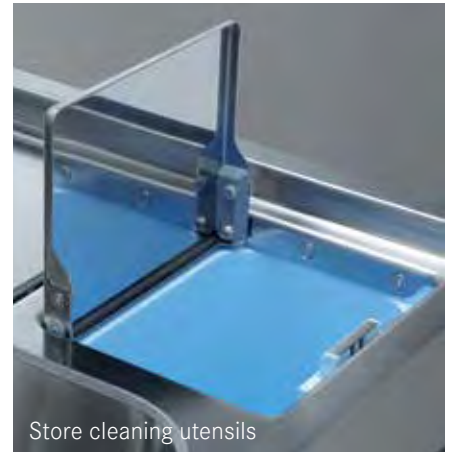
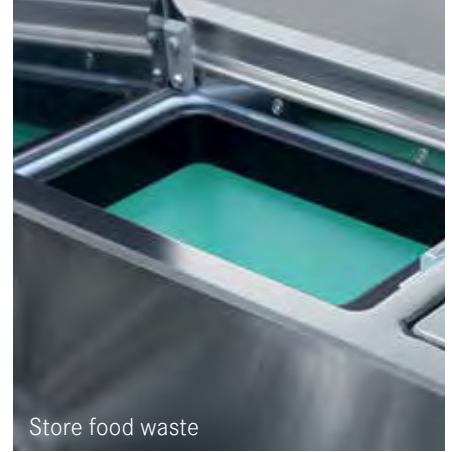
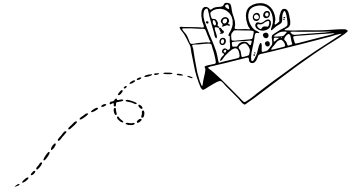


Instant Boiling Water Taps

Get instant 100°C water at your fingertips, straight from your kitchen tap, with Franke boiling water taps. Perfect for making drinks or getting meals underway in a flash, they combine safety, stylish design and cutting-edge technology. The Minerva tap offers hot, cold and boiling water, while the Omni is the world's first mechanical 4 in 1 tap, providing filtered water alongside hot, cold and boiling.



Many of our products have received awards for innovation and design such as the IF and Red Dot awards



Largo Workcentre

The Largo Workcentre proves that stunning design can actually make your life easier. Featuring two individually plumbed storage/waste areas and an innovative push button waste; it becomes the complete workstation for washing up and food preparation. The Largo provides an area that is as good looking as it is hard-working.



Greenline technology

Equipped with a brushless motor and LED lamps allowing up to 85% of energy saving versus a standard motor.



Anti-condensation technology

Revolutionary heated glass aimed to prevent condensation water droplets from beneath the hood whilst cooking.



Plug & Play technology

The Maris ceiling hood has been designed for easy installation, the plug & play technology allows for the product to be fully installed in less than 15 minutes.



MATERIAL AND FINISH OPTIONS

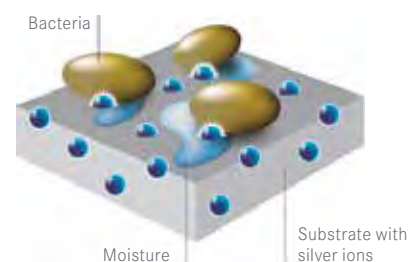
Everyone has a different vision of what would make their kitchen wonderful, and that often begins with how they intend to use it. The demands on your sink will dictate which material is right for your kitchen, as each precision-engineered material has individual character and unique benefits. Our range covers everything from the latest trends to traditional favourites, so all you have to do is pick the one that best fits with your cooking style, your lifestyle and your personal style.



Fragranite treated with Sanitized®

Fragranite is an exceptionally tough material which is highly resistant to burns, dents chips and stains. It was pioneered by Franke and contains 80% granite to form a unique material with a subtle sheen that is warm to the touch.

Kitchens can be a critical location for spreading bacteria and demand special attention to hygiene. On unprotected material, bacteria can multiply every 20 minutes making surfaces unhygienic. The integrated Sanitized® hygiene function in Fragranite sinks helps to keep this area clean and provides the sink with lasting protection. It does not replace normal cleaning but helps to keep surfaces free from bacteria. Tests have proven that Fragranite treated with Sanitized® reduces bacteria and microbe growth by 99%.



Active biocidal substance: silver ions.
The silver ion locates the bacteria via the moisture and deactivates it.



SilkSheen Onyx SilkSheen Graphite SilkSheen Stone Grey SilkSheen Oyster SilkSheen Coffee SilkSheen Polar White



Stainless Steel

Franke stainless steel sinks are made from premium quality chrome nickel steel, which looks stunningly beautiful, is highly resistant to staining, rust and corrosion - plus it won't chip, craze, flake or break. It's the most popular material - and for good reason: Stainless steel has a timeless quality that sits beautifully in a traditional or contemporary style kitchen, offering stunning good looks and a durability that helps keep it looking at its best for years.

Franke offers sinks in a selection of stainless steel finishes, so whether you prefer the more reflective qualities of the polished finish or the more subtle look of the silk or brushed finishes, which give a more matt sheen, there is a stainless steel solution for you.



Silk



Brushed



Polished



Ceramic

Ceramic sinks have been a popular choice for years and combine well with a variety of work surfaces such as wood, glass and granite. Ceramic sinks have a smooth, impervious surface, which is resistant to all standard household chemicals. It's a very hardwearing choice that stands up to heat, staining and impacts with ease.



White



Black



Glass

Franke uses a combination of toughened safety glass and stainless steel bowls to cope with even the most demanding hard wearing environment. Perfect for that modern, aesthetic statement in the kitchen.



Black



CHOOSING YOUR PERFECT SINK

As the kitchen sink is seen as the heart of the kitchen, it's the perfect starting point for creating your dream kitchen. Let your imagination run free with a range of fabulous options to help you maximise space and accentuate the look of the entire room. There are however certain functional considerations to take into account and the following information will help to ensure that your ideal sink is the perfect fit for your ideal kitchen.

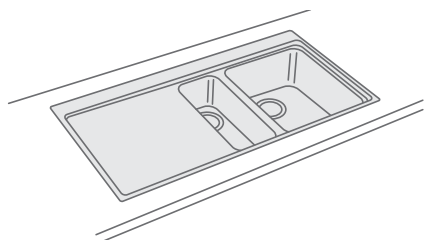
Installation formats

Sinks can be installed in 3 ways depending on your kitchen worktop and your preference:



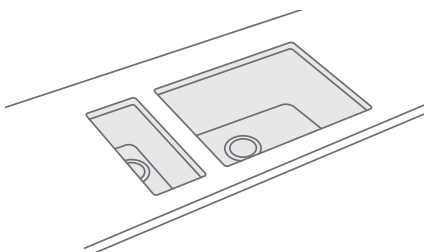
Inset sinks

Inset sinks are installed from above into a pre-prepared hole in your worktop. It gives you the widest range of sink shapes, sizes and styles to choose from.



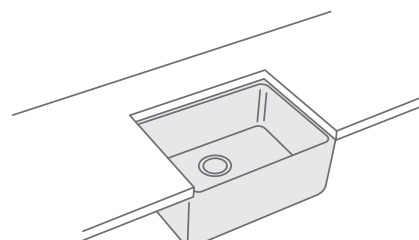
Undermount sinks

Undermount sinks are installed underneath the worksurface and therefore require a solid surface worktop such as granite or wood, they are not compatible with laminate worksurfaces.



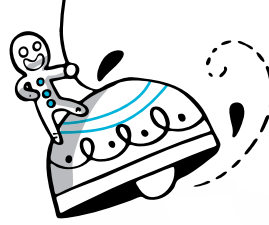
Belfast sinks

Belfast sinks can be used as either a freestanding feature with brackets or sit on top of base units.



We have more detailed information on sink styles and installation advice for you at [franke.co.uk/sinkstyles](https://www.franke.co.uk/sinkstyles)





Measuring your cabinet width

It is essential to correctly measure the cabinet width where your sink will be installed. The bowl, or bowls in the case of a multi-bowl sink, will need to fit into this space. Each sink in this brochure will show a cabinet size, and your cabinet width needs to be equal to or greater than the stated measurement.



Bowl and drainer configuration

The type and position of your bowl depends on how you intend to use your sink. If you like room to clean large items like grill pans, a larger single bowl may be best for you, or for a multi-functional purpose, you may prefer the versatility of 2 separate working bowls. For multi-bowl undermount sinks, it is important to decide which side you require the smaller bowl.

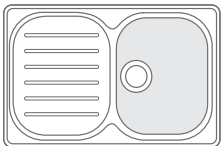
The drainer location is also an important consideration. For many sinks you will need to choose the specific version you prefer - with drainer on the left or right hand side. Whereas other sinks are reversible which indicates the drainer can be positioned on either side. Please check which format suits your kitchen best before ordering.

Exploring the full range

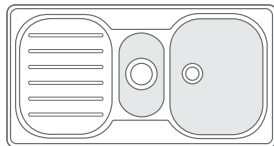
This brochure demonstrates the huge breadth of styles available but in some ranges there are several configurations to choose from in the same style. When this applies, you will find the symbol below indicating the number of extra configurations available.



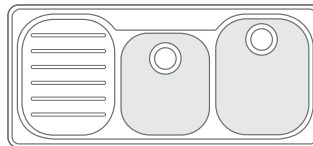
Single Bowl



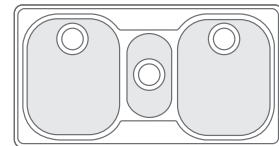
1½ Bowl



Double Bowl



Triple Bowl



Plumbing kits

Franke Plumbing kits are designed to assist in optimising the underside of the cabinet space and in many cases provide for better utilisation of under-sink storage.

Franke Siphon plumbing kits are made of rigid grey polypropylene and are the hygienic solution to a Franke sink waste system. Siphon plumbing kits have a manifold with an incline and an air vent for faster water disposal. The relevant plumbing kit is shown with each sink throughout the brochure.



Siphon 1
(for single bowl sinks)
112.0059.946



Siphon 2
(for 2 bowl sinks)
112.0052.536



Siphon 3
(for 3 bowl sinks)
112.0083.810

DETAILS THAT MAKE THE DIFFERENCE



At first glance, some features seem to be little more than decoration; others, you may not even notice at all. Sometimes however, small details can make a huge difference. Whether it's to save you time, make cleaning easier, boost performance or simply provide an efficient solution for life's little challenges, every aspect of a Franke sink is carefully designed to make life easier.



Advanced waste systems

Franke sinks are equipped with stainless steel basket strainer wastes which can be used to prevent foodstuffs from entering the waste system. But the attention to detail does not stop there; underneath the sink Franke waste kits may include such features as Sanitized® anti-bacterial properties and fast flowing air vent systems, whilst always ensuring they are as low-profile as possible, allowing you to benefit from extra cupboard space.



Deeper bowls

Many Franke stainless steel sink bowls are formed using a manufacturing technique known as deep-drawing and annealing. The bowls are formed using a 2-stage process which starts with deep drawing a flat sheet of steel. The annealing process allows the end result of the bowls to be deeper, without compromising the integrity of the steel.



Hygienic Overflow

Many Franke sinks come with a Hygienic Overflow, which offers versatility for cleaning. Simple removal of the logo plate reveals the overflow aperture for easy, hygienic cleaning.



Heat & sound insulation

All Franke stainless steel bowls are sound insulated to reduce the sound of water in the bowl. This is achieved by rubber insulation pads under the sink, or by a sprayed dynaphon layer, applied during manufacture. The grey dynaphon spray also insulates, minimising heat escaping from the bowl, keeping water warmer for longer.



Sink Accessories



It's the little things that make life extra special, so we've developed a range of extras to do just that. People use their sink in different ways, so these products correspond to common kitchen activities, complement the design of your Franke sink and turn it into the ultimate multi-purpose workstation.



To see the full range of accessories available for each sink visit franke.co.uk

Waste Disposal Units

Clever design frees the kitchen of unsightly and unhygienic organic household waste, leaving you to enjoy a clean and tidy kitchen. With an ease of use that's hard to beat it can even take the most mundane of daily chores and turn it into a little guilty pleasure.

Thanks to a permanent magnet motor, Franke Turbo Plus Waste Disposal Units reach high speed in a split second, producing more torque per kilo than any other of its type. Whilst running water through the unit, food waste is instantly liquefied into fine particles that are easily flushed through the pipework system.



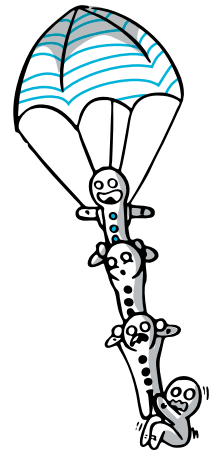
Kitchen Solutions

Everything in the kitchen should flow smoothly, not just the tap. That's why we create products to make your life easier in the kitchen and that help to maintain a tidy working environment.

The inset waste bin sits neatly in the countertop so food waste can be quickly and hygienically disposed of, while maintaining a minimalist look, and the Franke waste sorter range has multiple solutions to aid in the environmentally friendly disposal of waste.

TAPS WORTH TALKING ABOUT

Explore endless shape, line and contour possibilities to make an ordinary kitchen something special. The Franke tap range provides your kitchen with a focal point – and in some cases, a talking point. Featuring cutting edge design and a whole host of innovative features to enhance your lifestyle – from filtered cold water, to instant boiling water – the range spans the entire spectrum of form and function.



Omni 4-in-1 Instant boiling water tap



Instant boiling water taps

Get instant 100°C water at your fingertips, straight from your kitchen tap, with Franke boiling water taps. Perfect for making drinks or getting meals underway in a flash, they combine safety, stylish design and cutting-edge technology.



Mixer taps

Our wonderful range spans the entire spectrum of design, from traditional bridge taps to the chic practicality of a chef's style tap. Many have features to simplify meal preparation and kitchen tasks so that the everyday can become wonderful.



Filtered water taps

Our FilterFlow taps deliver hot, cold and filtered water in high style. No need to buy bottled water and you can even do your bit for the environment.

Tap flow rates explained

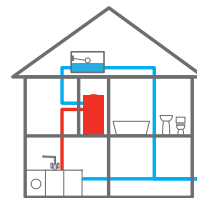
Before choosing your Franke tap it is essential to check whether you have a high or low pressure water system.

If your property has a low pressure water system you will need to check the flow rating of the taps before you make a purchase. If you install a tap with a low flow rating into a low pressure water system you may be disappointed with the flow of water from your tap. In these instances it will be difficult to achieve a suitable mixed flow of water through the tap as the cold mains water is delivered at a higher pressure and will overpower the weaker hot water pressure.

If you have a high pressure system in your home, such as a combi-boiler or pumped system, you should be able to choose from the full range of taps in our range. We strongly recommend that your plumber or installer checks the water pressure in your home before making a purchase.

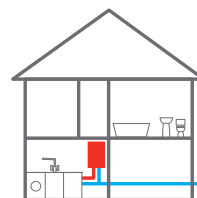


This symbol indicates the tap will work with a low pressure system, delivering at least 4 litres per minute of hot water at 0.3 bar pressure.



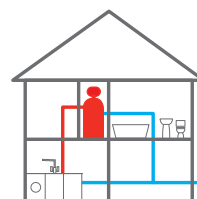
Low pressure (Gravity-fed system)

You have a cold water tank in your attic and a hot water tank in your airing cupboard. You should choose taps which state they are suitable for a low pressure system.



High pressure (Combi-boiler system)

You have a boiler unit but no hot water cylinder, the boiler unit is usually found in the kitchen and delivers hot water on demand. You should be able to choose from most of our taps.



High pressure (Pumped system)

You have a hot water cylinder with an expansion vessel on top (often called Megaflo), usually found in the airing cupboard, but you do not have a cold water tank. You should be able to choose any of our taps.

ADVANCED EXTRACTION FROM FRANKE

Years of research and development have gone into producing the most advanced extraction hoods available today and our passion for perfection has gone into making them exceptional. The robust build quality and innovative features are there for all to appreciate. Every effort has been made to make this range of hoods the last word in both style and performance.



Sinos Black hood



The clean, contemporary styling conceals highly efficient extraction technology. They're powerful enough to keep the kitchen clear of steam, smoke and odours – just because you have a passion for cooking, it doesn't mean you want to relive it the next morning.



Maris T-Shape
Wall hood

Why every kitchen needs a Franke decorative hood

Apart from offering a design statement in the kitchen, a Franke extraction hood simply makes cooking the joy it should be.

Cooking leads to a build-up of steam and vapour within the room. This can cause wet walls and furniture and leads to all sorts of problems – from peeling wallpaper to mould spots. Kitchen units and doors can also be affected as they absorb water and begin to stick. Even cooking oils can be vapourised and leave an unsightly oily film around the cooker and units. There is also the problem with cooking smells that can spread through the house and linger.



Downdraft hood



Galaxy Ceiling hood

The powerful extraction capabilities of Franke hoods will remove virtually all steam and strong cooking odours from the kitchen. All airborne grease will also collect on the washable grease filters. Yet despite being such an efficient extractor, Franke hoods are remarkably quiet when in operation.

COMPLETE YOUR KITCHEN DREAM WITH EASE

1 Find a sink to suit your style

To help you navigate the wide range of design, installation and functionality considerations surrounding your choice of sink, you'll have detailed information at your fingertips. Each option is explained fully over the following pages, but the handy pull-out flap gives you an at-a-glance reference guide.



2 Add your perfect tap

Franke taps combine outstanding performance and stunning design to suit your taste – whatever it may be. Our taps are designed to fit a standard 35mm tap hole (except where indicated). It is also important to identify whether your home has a high or low pressure water system, as it will affect your choice of tap – your installer or kitchen retailer should be able to help with this.



3 Choose accessories & extras

We also have a number of stylish and innovative products that are specifically designed to enhance the aesthetic and functionality of your sink, streamlining kitchen tasks to preserve its look and longevity.



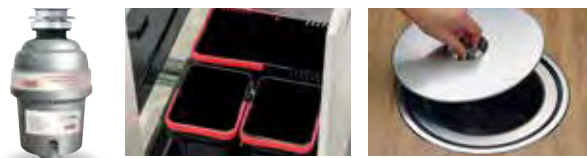
4 Consider a Co-ordinated Designer Pack

Our comprehensive range puts countless design combinations at your fingertips, so to help make your decisions easier, we have devised Designer Packs that co-ordinate essential items into one stylish package. Each pack comprises a sink, a complementary tap and in some cases, matching accessories to complete the look.



5 Discover full kitchen solutions

A working kitchen doesn't have to be a cluttered kitchen. Our range of clever storage and waste products help to maintain a clean and clear space for those with even the busiest of lifestyles.



6 Select a complementary hood

With the functionality to efficiently extract cooking odours and vapours from the kitchen and the elegant style to make a design statement, browse through the full range of Franke hoods to find your perfect kitchen companion.





Hydros HDX 654 sink with Bern Chrome tap

STAINLESS STEEL INSET SINKS

Whatever your dream kitchen looks like and whatever you enjoy doing in it, there's a Franke sink to suit. Making it wonderful requires the best, so all our steel sinks are made from the finest quality chrome nickel stainless steel, which is the perfect material for cleanliness and hygiene.

These sinks not only look beautiful, but are resistant to staining, chipping, rust and corrosion. With a long history as the world's premium brand in kitchen sinks, you can be confident that you are buying a quality product with premium features. In fact, we are so confident about the quality of manufacture that we offer a 50-year guarantee on all Franke sinks.



THE LARGO WORKCENTRE



The innovative Largo Workcentre sink is so well designed that it actually makes kitchen chores much less of a bore. It is the most complete kitchen solution Franke has ever created, featuring all the style and functionality of a conventional sink, but with the added convenience of two push activated, soft-touch compartments. These can be used for storing washing-up items out of sight and as an area for disposing of food waste, and are plumbed so that any excess water drains away to keep the area clean and tidy. The rear compartment is removable allowing easy movement of collected food waste.

Other features include a pop-up waste that is operated via a push-button, so that you can empty the bowl without putting your hands in the sink. Add to this accompanying accessories as standard, such as a chopping board and strainer bowl, and you'll see that the Largo is a workstation that does most of the hard work for you.



Store food waste



Store cleaning utensils



LARGO WORKCENTRE

Largo Workcentre LAX 211-W-36
Stainless Steel sink & Olympus Spring Chrome tap.



STAINLESS STEEL

Silk



Push-button
pop up waste



Included with sink

Strainer Bowl Stainless Steel 112.0081.491

Chopping Board 112.0285.247



Upgrade to your ideal tap, full range from page 60

DESIGNER PACK

Sink: LAX 211-W-36

Tap: Olympus Spring Chrome

Accessories: Shown left

Designer Pack Price: **£1115**

SINK ONLY

Sink: LAX 211-W-36

Accessories: Shown left

Sink Only Price: **£791**

SUGGESTED UPGRADES

SUGGESTED UPGRADES	ADD
WDU: Turbo Plus TP-75	£312
Plumbing Kit: Siphon 2	£27

LARGO

LARGO Butler Bin & Box

The separate Largo Butler Bin & Box can be installed as a useful accompaniment to any sink, providing a discrete area to store utensils and to dispose of food waste.



STAINLESS STEEL

Silk



BUTLER BIN & BOX ONLY

Sink: Butler Bin & Box only **£294**

SUGGESTED UPGRADES

SUGGESTED UPGRADES	ADD
Plumbing Kit: Siphon 1	£19

Planar Slim-Top

Planar Slim-Top PPX 211 Stainless Steel sink & Planar Chrome tap
Includes twist control pop-up waste.



Extra cost **£71**
Chopping Board
112.0016.488



Extra cost **£67**
Rollamat 40
112.0050.988



STAINLESS STEEL

Silk



Upgrade to your ideal tap, full range from page 60

DESIGNER PACK

Sink: Planar Slim-Top PPX 211

Tap: Planar Chrome tap

Designer Pack Price: **£1031**

SINK ONLY

Sink: Planar Slim-Top PPX 211

Sink Only Price: **£690**

SUGGESTED UPGRADES

SUGGESTED UPGRADES	ADD
WDU: Turbo Plus TP-75	£312
Plumbing Kit: Siphon 1	£19

Planar Slim-Top

Planar Slim-Top PPX 251 Stainless Steel sink & Planar Chrome tap
Includes twist control pop-up waste.



Extra cost **£71**
Chopping Board
112.0016.488



Extra cost **£67**
Rollamat 40
112.0050.988



STAINLESS STEEL

Silk



Upgrade to your ideal tap, full range from page 60

DESIGNER PACK

Sink: Planar Slim-Top PPX 251

Tap: Planar Chrome tap

Designer Pack Price: **£1169**

SINK ONLY

Sink: Planar Slim-Top PPX 251

Sink Only Price: **£828**

SUGGESTED UPGRADES

SUGGESTED UPGRADES	ADD
WDU: Turbo Plus TP-75	£312
Plumbing Kit: Siphon 2	£27

Centinox

Centinox CEX 210 Stainless Steel sink & Olympus Spring Chrome tap
Our Centenary sink includes three tiered interlocking accessories.



reddot design award



Included with sink

Strainer Bowl 112.0172.452 Food Preparation Platter 112.0173.062 Rollamat CEX 112.0173.411

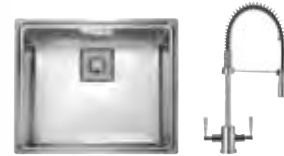
Extra cost £92

Mobile Drainer 112.0173.587



STAINLESS STEEL

Silk



Upgrade to your ideal tap, full range from page 60

DESIGNER PACK

Sink: Centinox CEX 210

Tap: Olympus Spring Chrome

Accessories: Shown left

Designer Pack Price: **£971**

SINK ONLY

Sink: Centinox CEX 210

Accessories: Shown left

Sink Only Price: **£647**

SUGGESTED UPGRADES

Plumbing Kit: Siphon 1 **ADD £19**

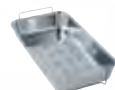
Kubus

Kubus KBV 611 Glass sink & Mythos MTX Chrome tap
Includes twist control pop-up waste.



Extra cost £84

Stainless Steel Strainer Bowl 112.0014.123



Extra cost £67

Rollamat 40 112.0050.988



GLASS

Black



Upgrade to your ideal tap, full range from page 60

DESIGNER PACK

Sink: Kubus KBV 611

Tap: Mythos MTX Chrome

Designer Pack Price: **£1002**

SINK ONLY

Sink: Kubus KBV 611

Sink Only Price: **£662**

SUGGESTED UPGRADES

WDU: Turbo Plus TP-75 **ADD £312**

Plumbing Kit: Siphon 1 **ADD £19**

Kubus

Kubus KBV 651 Glass sink & Mythos MTX Chrome tap
Includes twist control pop-up waste.



Extra cost **£84**

Stainless Steel Strainer Bowl 112.0014.123



Extra cost **£67**

Rollamat 40 112.0050.988



GLASS

Black



Upgrade to your ideal tap, full range from page 60

DESIGNER PACK

Sink: Kubus KBV 651

Tap: Mythos MTX Chrome

Designer Pack Price: **£1174**

SINK ONLY

Sink: Kubus KBV 651

Sink Only Price: **£834**

SUGGESTED UPGRADES

SUGGESTED UPGRADES	ADD
WDU: Turbo Plus TP-75	£312
Plumbing Kit: Siphon 2	£27

Mythos Slim-Top

Mythos Slim-Top MMX 211 Stainless Steel sink & Mythos MTX Chrome tap
Includes push button pop-up waste.

INNOVATION



Push-button pop up waste



Included with sink

Strainer Bowl Stainless Steel 112.0057.850



Sliding Glass Board 112.0046.415



Extra cost **£67**

Rollamat 40 112.0050.988



STAINLESS STEEL

Silk



Upgrade to your ideal tap, full range from page 60

DESIGNER PACK

Sink: Mythos Slim-Top MMX 211

Tap: Mythos MTX Chrome

Accessories: Shown left

Designer Pack Price: **£950**

SINK ONLY

Sink: Mythos Slim-Top MMX 211

Accessories: Shown left

Sink Only Price: **£610**

SUGGESTED UPGRADES

SUGGESTED UPGRADES	ADD
WDU: Turbo Plus TP-75	£312
Plumbing Kit: Siphon 1	£19

Mythos Slim-Top

Mythos Slim-Top MMX 251 Stainless Steel sink & Mythos MTX Chrome tap
Includes push button pop-up waste and accessories.



STAINLESS STEEL
Sink



Push-button pop up waste



Upgrade to your ideal tap, full range from page 60

DESIGNER PACK

Sink: Mythos Slim-Top MMX 251
Tap: Mythos MTX Chrome
Accessories: Shown left
Designer Pack Price: **£1051**

SINK ONLY

Sink: Mythos Slim-Top MMX 251
Accessories: Shown left
Sink Only Price: **£711**

Included with sink Extra cost **£67**

Strainer Bowl Stainless Steel 112.0057.850 Sliding Glass Board 112.0046.415 Rollamat 40 112.0050.988



SUGGESTED UPGRADES

ADD	
WDU: Turbo Plus TP-75	£312
Plumbing Kit: Siphon 2	£27

Mythos Slim-Top

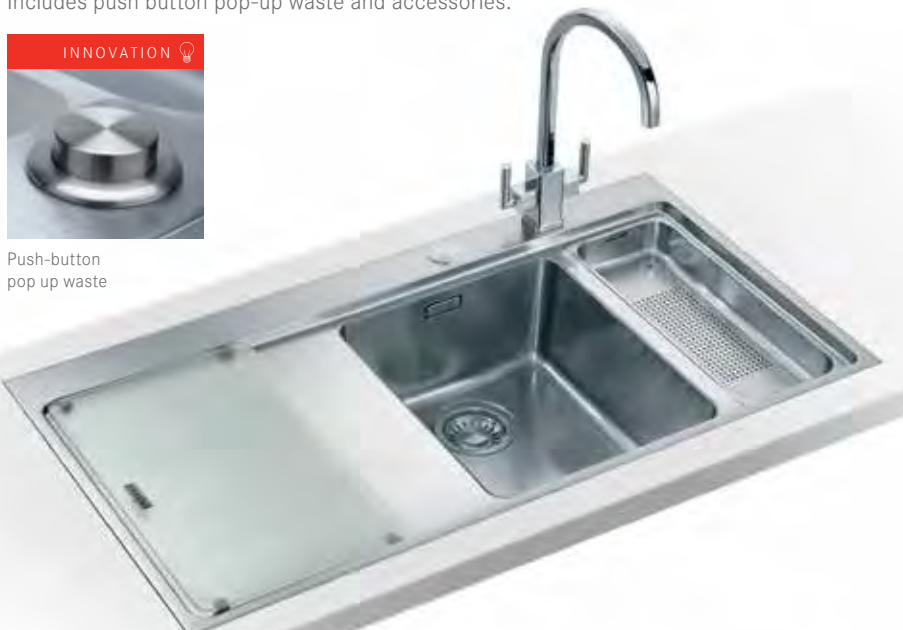
Mythos Slim-Top MMX 261 Stainless Steel sink & Mythos MTX Chrome tap
Includes push button pop-up waste and accessories.



STAINLESS STEEL
Sink



Push-button pop up waste



Upgrade to your ideal tap, full range from page 60

DESIGNER PACK

Sink: Mythos Slim-Top MMX 261
Tap: Mythos MTX Chrome
Accessories: Shown left
Designer Pack Price: **£1051**

SINK ONLY

Sink: Mythos Slim-Top MMX 261
Accessories: Shown left
Sink Only Price: **£711**

Included with sink Extra cost **£67**

Strainer Bowl Stainless Steel 112.0057.850 Sliding Glass Board 112.0046.415 Rollamat 40 112.0050.988



SUGGESTED UPGRADES

ADD	
WDU: Turbo Plus TP-75	£312
Plumbing Kit: Siphon 2	£27

Midas

Midas MTX 610-55 Stainless Steel sink & Mythos MTX Chrome tap

Includes push button pop-up waste.



STAINLESS STEEL

Silk



Push-button pop up waste



Sink incorporates the revolutionary Slimfix clip® system.

Extra cost **£104**

Stainless Steel Strainer Bowl 112.0057.850



Extra cost **£54**

Chopping Board 112.0014.124



Extra cost **£67**

Rollamat 42 112.0030.882



Upgrade to your ideal tap, full range from page 60

DESIGNER PACK

Sink: Midas MTX 610-55

Tap: Mythos MTX Chrome

Accessories: Shown left

Designer Pack Price: **£818**

SINK ONLY

Sink: Midas MTX 610-55

Accessories: Shown left

Sink Only Price: **£478**

SUGGESTED UPGRADES

ADD

WDU: Turbo Plus TP-75 **£312**

Plumbing Kit: Siphon 1 **£19**

Midas

Midas MTX 660 34-16 Stainless Steel sink & Mythos MTX Chrome tap

Includes push button pop-up waste.



STAINLESS STEEL

Silk



Push-button pop up waste



Sink incorporates the revolutionary Slimfix clip® system.

Extra cost **£104**

Stainless Steel Strainer Bowl 112.0057.850



Extra cost **£67**

Rollamat 42 112.0030.882



Upgrade to your ideal tap, full range from page 60

PROPACK

Sink: Midas MTX 660 34-16

Tap: Mythos MTX Chrome

Accessories: Shown left

Designer Pack Price: **£877**

SINK ONLY

Sink: Midas MTX 660 34-16

Accessories: Shown left

Sink Only Price: **£537**

SUGGESTED UPGRADES

ADD

WDU: Turbo Plus TP-75 **£312**

Plumbing Kit: Siphon 2 **£27**

Sinos

Sinos SNX 211 Stainless Steel sink & Sinos Chrome tap
Includes push button pop-up waste and accessories.



STAINLESS STEEL

Sink



Push-button pop up waste



Upgrade to your ideal tap, full range from page 60

DESIGNER PACK

Sink: Sinos SNX 211

Tap: Sinos Chrome

Accessories: Shown left

Designer Pack Price: **£765**

SINK ONLY

Sink: Sinos SNX 211

Accessories: Shown left

Sink Only Price: **£475**

Included with sink

Strainer Bowl Stainless Steel 112.0081.491



Sanitized Chopping Board 112.0255.966



Extra cost £67

Rollamat 30 112.0256.867



SUGGESTED UPGRADES

	ADD
WDU: Turbo Plus TP-75	£312
Plumbing Kit: Siphon 1	£19

Sinos

Sinos SNX 251 Stainless Steel sink & Sinos Chrome tap
Includes push button pop-up waste and accessories.



STAINLESS STEEL

Sink



Push-button pop up waste



Upgrade to your ideal tap, full range from page 60

DESIGNER PACK

Sink: Sinos SNX 251

Tap: Sinos Chrome

Accessories: Shown left

Designer Pack Price: **£871**

SINK ONLY

Sink: Sinos SNX 251

Accessories: Shown left

Sink Only Price: **£581**

Included with sink

Strainer Bowl Stainless Steel 112.0081.491



Sanitized Chopping Board 112.0255.966



Extra cost £67

Rollamat 30 112.0256.867



SUGGESTED UPGRADES

	ADD
WDU: Turbo Plus TP-75	£312
Plumbing Kit: Siphon 1	£27

Sinos

Sinos SNX 261 Stainless Steel sink & Sinos Chrome tap

Includes push-button pop-up waste and accessories.



STAINLESS STEEL

Silk



Push-button pop up waste

INNOVATION



Push-button pop up waste



Upgrade to your ideal tap, full range from page 60

DESIGNER PACK

Sink: Sinos SNX 261

Tap: Sinos Chrome

Accessories: Shown left

Designer Pack Price: **£871**

SINK ONLY

Sink: Sinos SNX 261

Accessories: Shown left

Sink Only Price: **£581**

SUGGESTED UPGRADES

WDU: Turbo Plus TP-75 **£312**

Plumbing Kit: Siphon 2 **£27**

Included with sink

Strainer Bowl Stainless Steel 112.0081.491



Sanitized Chopping Board 112.0255.966



Extra cost £67

Rollamat 30 112.0256.867



Hydros

Hydros HDX 614 Stainless Steel sink & Bern Chrome tap

Includes push-button pop-up waste.



STAINLESS STEEL

Silk



Push-button pop up waste

INNOVATION



Push-button pop up waste



Upgrade to your ideal tap, full range from page 60

DESIGNER PACK

Sink: Hydros HDX 614

Tap: Bern Chrome

Designer Pack Price: **£683**

SINK ONLY

Sink: Hydros HDX 614

Sink Only Price: **£421**

SUGGESTED UPGRADES

WDU: Turbo Plus TP-75 **£312**

Plumbing Kit: Siphon 1 **£19**

Extra cost £62

Strainer Bowl Stainless Steel 112.0281.981



Extra cost £41

Sanitized Chopping Board 112.0284.156



Extra cost £126

Drainer Basket Stainless Steel 112.0007.664



Hydros

Hydros HDX 654 Stainless Steel sink & Bern Chrome tap
Includes push-button pop-up waste.



Push-button
pop up waste

INNOVATION



Extra cost £62 Strainer Bowl Stainless Steel 112.0281.981	Extra cost £41 Sanitized Chopping Board 112.0284.156	Extra cost £126 Drainer Basket Stainless Steel 112.0007.664



STAINLESS STEEL

Silk



Upgrade to your ideal tap, full range from page 60

DESIGNER PACK

Sink: Hydros HDX 654
Tap: Bern Chrome
Designer Pack Price: **£743**

SINK ONLY

Sink: Hydros HDX 654
Sink Only Price: **£481**

SUGGESTED UPGRADES

	ADD
WDU: Turbo Plus TP-75	£312
Plumbing Kit: Siphon 2	£27

Laser

Laser LSX 611 Stainless Steel sink & Eiger Chrome tap



Sink incorporates
the revolutionary
Slimfix clip® system.

INNOVATION



Extra cost **£101**
611 Sliding Glass Board
112.0039.129



STAINLESS STEEL

Silk



Upgrade to your ideal tap, full range from page 60

DESIGNER PACK

Sink: Laser LSX 611
Tap: Eiger Chrome
Designer Pack Price: **£529**

SINK ONLY

Sink: Laser LSX 611
Sink Only Price: **£327**

SUGGESTED UPGRADES

	ADD
WDU: Turbo Plus TP-75	£312
Plumbing Kit: Siphon 1	£19

Laser

Laser LSX 651 Stainless Steel sink & Eiger Chrome tap

INNOVATION 



Sink incorporates the revolutionary Slimfix clip® system.



Extra cost **£50**

Strainer Bowl Stainless Steel 112.0041.519



Extra cost **£101**

651 Sliding Glass Board 112.0039.124



STAINLESS STEEL

Silk



Upgrade to your ideal tap, full range from page 60

DESIGNER PACK

Sink: Laser LSX 651

Tap: Eiger Chrome

Designer Pack Price: **£625**

SINK ONLY

Sink: Laser LSX 651

Sink Only Price: **£423**

SUGGESTED UPGRADES

ADD

WDU: Turbo Plus TP-75 **£312**

Plumbing Kit: Siphon 2 **£27**

Compact Plus

Compact Plus CPX P 611 780 Stainless Steel sink & Davos 'J' Chrome tap

Model will not accommodate taps with a base diameter over 55mm.



Extra cost **£21**

White Drainer Tray 112.0038.356



Extra cost **£44**

White Drainer Basket 112.0050.247



Extra cost **£11**

White Plate Rack 112.0050.250



Extra cost **£71**

Bamboo Chopping Board 112.0280.673



STAINLESS STEEL

Silk



Upgrade to your ideal tap, full range from page 60

DESIGNER PACK

Sink: Compact Plus CPX P 611 780

Tap: Davos 'J' Chrome

Designer Pack Price: **£479**

SINK ONLY

Sink: Compact Plus CPX P 611 780

Sink Only Price: **£326**

SUGGESTED UPGRADES

ADD

WDU: Turbo Plus TP-75 **£312**

Plumbing Kit: Siphon 1 **£19**

Compact Plus

Compact Plus CRX P 651 Stainless Steel sink & Davos 'J' Chrome tap
Model will not accommodate taps with a base diameter over 55mm.



Extra cost **£76**

White Strainer
Bowl 112.0050.424

White Drainer
Basket

Bamboo
Chopping Board



STAINLESS STEEL

Silk



Upgrade to your ideal tap, full range from page 60

DESIGNER PACK

Sink: Compact Plus CRX P 651

Tap: Davos 'J' Chrome

Designer Pack Price: **£539**

SINK ONLY

Sink: Compact Plus CRX P 651

Sink Only Price: **£386**

SUGGESTED UPGRADES

WDU: Turbo Plus TP-75 **£312**

Plumbing Kit: Siphon 2 **£27**

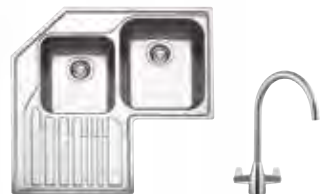
Studio

Studio STX 621-E Stainless Steel sink & Davos 'J' Chrome tap
Requires 900 x 900mm corner cabinet.



STAINLESS STEEL

Silk



Upgrade to your ideal tap, full range from page 60

DESIGNER PACK

Sink: Studio STX 621-E

Tap: Davos 'J' Chrome

Designer Pack Price: **£554**

SINK ONLY

Sink: Studio STX 621-E

Sink Only Price: **£401**

SUGGESTED UPGRADES

WDU: Turbo Plus TP-75 **£312**

Plumbing Kit: Siphon 2 **£27**

Utility 50

Utility UTX 610 Stainless Steel sink & Davos 'J' Chrome tap

Features angled front rubbing board. Not suitable for solid surface worktop installation.



STAINLESS STEEL

Brushed



Upgrade to your ideal tap, full range from page 60

DESIGNER PACK

Sink: Utility UTX 610

Tap: Davos 'J' Chrome

Designer Pack Price: **£409**

SINK ONLY

Sink: Utility UTX 610

Sink Only Price: **£256**

SUGGESTED UPGRADES

ADD

WDU: Turbo Plus TP-75 **£312**

Plumbing Kit: Siphon 1 **£19**

Rotondo

Rotondo RBX 610 Stainless Steel sink & Davos 'J' SilkSteel tap



STAINLESS STEEL

Brushed



Upgrade to your ideal tap, full range from page 60

DESIGNER PACK

Sink: Rotondo RBX 610

Tap: Davos 'J' SilkSteel

Designer Pack Price: **£432**

SINK ONLY

Sink: Rotondo RBX 610

Sink Only Price: **£247**

SUGGESTED UPGRADES

ADD

WDU: Turbo Plus TP-75 **£312**

Plumbing Kit: Siphon 1 **£19**

Extra cost **£112**

Drainer Basket Stainless Steel 112.0050.639



Extra cost **£167**

Rotondo RBX 604 Drainer 101.0050.182



Polished

Rondo

Rondo RNX 610 Stainless Steel sink & Davos 'J' Chrome tap



STAINLESS STEEL

Brushed



Upgrade to your ideal tap, full range from page 60

DESIGNER PACK

Sink: Rondo RNX 610

Tap: Davos 'J' Chrome

Designer Pack Price: **£333**

SINK ONLY

Sink: Rondo RNX 610

Sink Only Price: **£180**

SUGGESTED UPGRADES

ADD

Plumbing Kit: Siphon 1

£19

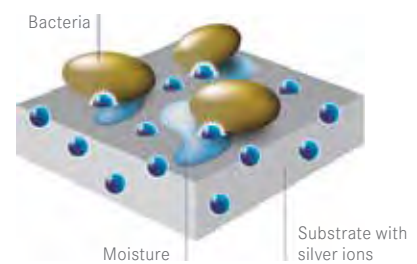


Pebel PBG 611-970 Stone Grey sink with Olympus Chrome tap

FRAGRANITE TREATED WITH SANITIZED®

Fragranite is a durable and versatile material, which offers a whole host of aesthetic and practical benefits. The rich colour of the surface will not fade over time and won't stain or mark. As it's also heat, impact and scratch proof, it's the perfect material for the busiest family homes.

What really makes Fragranite wonderful is its Sanitized® treatment, which reduces bacteria and microbe growth by 99%, helping to keep the whole area clean and provides long-lasting protection.



Active biocidal substance: silver ions.
The silver ion locates the bacteria via the moisture and deactivates it.

Mythos Fusion

Mythos Fusion MTF 611 Fraganite sink & Mythos MTG Onyx Chrome tap
Featuring Stainless Steel ribs fused into the drainer.



Included with sink		Extra cost £67
Stainless Steel Strainer Bowl 112.0018.817	Sliding Glass Board 112.0017.900	Rollamat 40 112.0050.988



FRAGRANITE SILKSHEEN
Onyx



Upgrade to your ideal tap, full range from page 60

DESIGNER PACK

Sink: Mythos Fusion MTF 611
Tap: Mythos MTG Onyx Chrome
Accessories: Shown left
Designer Pack Price: **£860**

SINK ONLY

Sink: Mythos Fusion MTF 611
Accessories: Shown left
Sink Only Price: **£514**

SUGGESTED UPGRADES	ADD
WDU: Turbo Plus TP-75	£312
Plumbing Kit: Siphon 1	£19

Mythos Fusion

Mythos Fusion MTF 651-100 Fraganite sink & Mythos MTG Onyx Chrome tap
Featuring Stainless Steel ribs fused into the drainer.



Included with sink		Extra cost £67
Stainless Steel Strainer Bowl 112.0018.817	Sliding Glass Board 112.0017.900	Rollamat 40 112.0050.988



FRAGRANITE SILKSHEEN
Onyx



Upgrade to your ideal tap, full range from page 60

DESIGNER PACK

Sink: Mythos Fusion MTF 651-100
Tap: Mythos MTG Onyx Chrome
Accessories: Shown left
Designer Pack Price: **£880**

SINK ONLY

Sink: Mythos Fusion MTF 651-100
Accessories: Shown left
Sink Only Price: **£534**

SUGGESTED UPGRADES	ADD
WDU: Turbo Plus TP-75	£312
Plumbing Kit: Siphon 2	£27

Mythos

Mythos MTG 611 Fraganite sink & Mythos MTX Chrome tap.
Now includes Rollamat accessory.



INCLUDES
FREE
ROLLAMAT



Included with sink

Stainless Steel Strainer Bowl 112.0018.817 Sliding Glass Board 112.0017.900 **NEW** Rollamat 40 112.0050.988



FRAGRANITE SILKSHEEN

Polar White
Coffee
Onyx
Oyster
Stone Grey **NEW**



Upgrade to your ideal tap, full range from page 60

DESIGNER PACK

Sink: Mythos MTG 611
Tap: Mythos MTX Chrome
Accessories: Shown left
Designer Pack Price: **£790**

SINK ONLY

Sink: Mythos MTG 611
Accessories: Shown left
Sink Only Price: **£450**

SUGGESTED UPGRADES

SUGGESTED UPGRADES	ADD
WDU: Turbo Plus TP-75	£312
Plumbing Kit: Siphon 1	£19

Mythos

Mythos MTG 651-100 Fraganite sink & Mythos MTG Onyx Chrome tap.
Now includes Rollamat accessory.



INCLUDES
FREE
ROLLAMAT



Included with sink

Stainless Steel Strainer Bowl 112.0018.817 Sliding Glass Board 112.0017.900 **NEW** Rollamat 40 112.0050.988



FRAGRANITE SILKSHEEN

Polar White
Coffee
Onyx
Oyster
Stone Grey **NEW**



Upgrade to your ideal tap, full range from page 60

DESIGNER PACK

Sink: Mythos MTG 651-100
Tap: Mythos MTG Onyx Chrome
Extras: Plumbing set connector
Accessories: Shown left
Designer Pack Price: **£812**

SINK ONLY

Sink: Mythos MTG 651-100
Accessories: Shown left
Sink Only Price: **£466**

SUGGESTED UPGRADES

SUGGESTED UPGRADES	ADD
WDU: Turbo Plus TP-75	£312
Plumbing Kit: Siphon 1	£19

Pebel

Pebel PBG 611-970 Fragranite sink & Olympus Chrome tap



FRAGRANITE SILKSHEEN	
	Polar White
	Coffee
	Onyx
	Oyster
	Stone Grey NEW



Upgrade to your ideal tap, full range from page 60

DESIGNER PACK

Sink: Pebel PBG 611-970	
Tap: Olympus Chrome	
Designer Pack Price:	£645

SINK ONLY

Sink: Pebel PBG 611-970	
Sink Only Price:	£409

SUGGESTED UPGRADES

	ADD
WDU: Turbo Plus TP-75	£312
Plumbing Kit: Siphon 1	£19

Extra cost **£80**
Sliding Glass Board
112.0251.306



Pebel

Pebel PBG 651 Fragranite sink & Olympus Chrome tap



FRAGRANITE SILKSHEEN	
	Polar White
	Coffee
	Onyx
	Oyster
	Stone Grey NEW



Upgrade to your ideal tap, full range from page 60

DESIGNER PACK

Sink: Pebel PBG 651	
Tap: Olympus Chrome	
Extras: Plumbing set connector	
Designer Pack Price:	£660

SINK ONLY

Sink: Pebel PBG 651	
Sink Only Price:	£424

SUGGESTED UPGRADES

	ADD
WDU: Turbo Plus TP-75	£312
Plumbing Kit: Siphon 1	£19

Extra cost **£105**

Stainless Steel Strainer
Bowl 112.0250.861



Extra cost **£126**

Stainless Steel Drainer
Basket 112.0007.664



Extra cost **£80**

Sliding Glass Board
112.0251.306





Aspen ANK 611 sink with Star Chrome tap

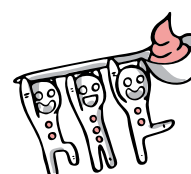
CERAMIC SINKS

Ceramic sinks combine beautifully with a variety of work surfaces such as wood, glass and granite. It's no wonder they have been a popular choice for years and their smooth, impervious surface is resistant to all standard household chemicals, making it perfect for modern, hardworking kitchens. It's a durable choice that stands up to heat, staining and impact with ease; so there's much more to ceramic than silky smooth good looks.

FRANKE

by
Villeroy & Boch

This logo indicates the sink has been produced in partnership with leading ceramic brand Villeroy & Boch.



Mythos

Mythos MTK 611 Ceramic sink & Mythos MTX Chrome tap

Now includes Rollamat accessory.

MTK ceramic sink measurements may vary +/-1% due to the firing process. We recommend that the sink should be used as a template in all cases.

FRANKE
by
Villeroy & Boch

INCLUDES
FREE
ROLLAMAT



Included with sink

NEW Rollamat 38
112.0050.989



CERAMIC

White

Black



Upgrade to your ideal tap, full range from page 60

DESIGNER PACK

Sink: Mythos MTK 611

Tap: MTX Chrome tap

Accessories: Shown left

Designer Pack Price: (White) £916

Designer Pack Price: (Black) £992

SINK ONLY

Sink: Mythos MTK 611

Sink Only Price: (White) £576

Sink Only Price: (Black) £652

SUGGESTED UPGRADES

SUGGESTED UPGRADES	ADD
WDU: Turbo Plus TP-75	£312
Plumbing Kit: Siphon 1	£19

Mythos

Mythos MTK 651 Ceramic sink & Mythos MTX Chrome tap

Now includes Rollamat accessory.

MTK ceramic sink measurements may vary +/-1% due to the firing process. We recommend that the sink should be used as a template in all cases.

FRANKE
by
Villeroy & Boch

INCLUDES
FREE
ROLLAMAT



Included with sink

NEW Rollamat 38
112.0050.989



CERAMIC

White

Black



Upgrade to your ideal tap, full range from page 60

DESIGNER PACK

Sink: Mythos MTK 651

Tap: MTX Chrome tap

Accessories: Shown left

Designer Pack Price: (White) £996

Designer Pack Price: (Black) £1080

SINK ONLY

Sink: Mythos MTK 651

Sink Only Price: (White) £656

Sink Only Price: (Black) £740

SUGGESTED UPGRADES

SUGGESTED UPGRADES	ADD
WDU: Turbo Plus TP-75	£312
Plumbing Kit: Siphon 2	£27

Franke by V&B

Franke by V&B VBK 651 Ceramic sink & Eiger Chrome tap

VBK ceramic sink measurements may vary +/-1% due to the firing process. We recommend that the sink should be used as a template in all cases. Supplied with 1½" waste with hand plug in small bowl.

FRANKE
by
Villeroy & Boch



CERAMIC

White



Upgrade to your ideal tap, full range from page 60

DESIGNER PACK

Sink: Franke by V&B VBK 651

Tap: Eiger Chrome

Designer Pack Price: **£836**

SINK ONLY

Sink: Franke by V&B VBK 651

Sink Only Price: **£634**

SUGGESTED UPGRADES

ADD

WDU: Turbo Plus TP-75 **£312**

Plumbing Kit: Siphon 2 **£27**

Aspen ANK 611 Sink

Aspen ANK 611 Ceramic sink & Star Chrome tap

ANK ceramic sink measurements may vary +/-1% due to the firing process. We recommend that the sink should be used as a template in all cases.

FRANKE
by
Villeroy & Boch



CERAMIC

White



Upgrade to your ideal tap, full range from page 60

DESIGNER PACK

Sink: Aspen ANK 611

Tap: Star Chrome

Plumbing Kit: Siphon 1

Designer Pack Price: **£764**

SINK ONLY

Sink: Aspen ANK 611

Sink Only Price: **£474**

SUGGESTED UPGRADES

ADD

WDU: Turbo Plus TP-75 **£312**

Plumbing Kit: Siphon 1 **£19**

Belfast

Belfast VBK 710 Ceramic sink & Belfast Chrome tap

VBK ceramic sink measurements may vary +/-1% due to the firing process. We recommend that the sink should be used as a template in all cases. Installation shown is for visual reference only. Consult your installer for your particular requirements.

FRANKE
by
Villeroy & Boch



CERAMIC

White



Upgrade to your ideal tap, full range from page 60

DESIGNER PACK

Sink: Belfast VBK 710

Tap: Belfast Chrome

Designer Pack Price: **£707**

SINK ONLY

Sink: Belfast VBK 710

Sink Only Price: **£419**

SUGGESTED UPGRADES

SUGGESTED UPGRADES	ADD
WDU: Turbo Plus TP-75	£312
Plumbing Kit: Siphon 1	£19

Belfast

Belfast VBK 720 Ceramic sink & Augusta Chrome tap

VBK ceramic sink measurements may vary +/-1% due to the firing process. We recommend that the sink should be used as a template in all cases. Installation shown is for visual reference only. Consult your installer for your particular requirements.

FRANKE
by
Villeroy & Boch



CERAMIC

White



Upgrade to your ideal tap, full range from page 60

DESIGNER PACK

Sink: Belfast VBK 720

Tap: Augusta Chrome

Designer Pack Price: **£901**

SINK ONLY

Sink: Belfast VBK 720

Sink Only Price: **£586**

SUGGESTED UPGRADES

SUGGESTED UPGRADES	ADD
WDU: Turbo Plus TP-75	£312
Plumbing Kit: Siphon 2	£27



Centinox CMX 160 34-17 sink with Mythos MTX Chrome tap

STAINLESS STEEL UNDERMOUNT SINKS

It's your kitchen, so why should you compromise on style or performance? Stainless steel undermounts are particularly easy to clean and exceptionally durable, so luckily you don't have to.

They give a flawless, uninterrupted look to your kitchen and for solid work surfaces such as granite and wood, a stainless steel undermount sink clips directly underneath the surface to provide a work area that is practical and hygienic.

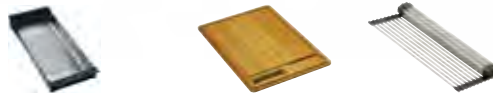


Peak

Peak PKX 110 18 + PKX 110 55 Stainless Steel sinks & Bern Chrome tap
Cabinet width of 900mm assumes 50mm bridge.



Extra cost £101	Extra cost £65	Extra cost £67
Stainless Steel Strainer Bowl 112.0066.060	Chopping Board 112.0079.600	Rollamat 44 112.0080.355



STAINLESS STEEL

Sink



Upgrade to your ideal tap, full range from page 60

DESIGNER PACK

Sinks: Peak PKX 110 18 + PKX 110 55

Tap: Bern Chrome

Designer Pack Price: **£1072**

SINK ONLY

Sink: Peak PKX 110 18

Sink Only Price: **£362**

SINK ONLY

Sink: Peak PKX 110 55

Sink Only Price: **£448**

SUGGESTED UPGRADES

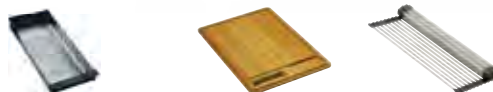
Plumbing Kit: Siphon 2 **£27**

Peak

Peak PKX 160 34-18 Stainless Steel sink & Bern Chrome tap



Extra cost £101	Extra cost £65	Extra cost £67
Stainless Steel Strainer Bowl 112.0066.060	Chopping Board 112.0079.600	Rollamat 44 112.0080.355



STAINLESS STEEL

Sink



Upgrade to your ideal tap, full range from page 60

DESIGNER PACK

Sink: Peak PKX 160 34-18

Tap: Bern Chrome

Designer Pack Price: **£982**

SINK ONLY

Sink: Peak PKX 160 34-18

Sink Only Price: **£720**

SUGGESTED UPGRADES

Plumbing Kit: Siphon 2 **£27**

Peak

Peak PKX 110 70 Stainless Steel sink & Bern Chrome tap



Extra cost **£101**

Stainless Steel Strainer Bowl 112.0066.060



Extra cost **£65**

Chopping Board 112.0079.600



Extra cost **£67**

Rollamat 44 112.0080.355



STAINLESS STEEL

Silk



Upgrade to your ideal tap, full range from page 60

DESIGNER PACK

Sink: Peak PKX 110 70

Tap: Bern Chrome

Designer Pack Price: **£770**

SINK ONLY

Sink: Peak PKX 110 70

Sink Only Price: **£508**

SUGGESTED UPGRADES

ADD

Plumbing Kit: Siphon 1 **£19.00**

Centinox

Centinox CMX 110 17 + CMX 110 50 Stainless Steel sinks & Olympus Spring Chrome tap



Extra cost **£92**

NEW Chopping Board 112.0192.964



Extra cost **£71**

NEW Stainless Steel Strainer Bowl 112.0262.404



Extra cost **£126**

Stainless Steel Drainer Basket 112.0007.664



Extra cost **£92**

NEW Mobile Drainer 112.0204.360



Extra cost **£67**

Rollamat 40 112.0080.355



STAINLESS STEEL

Silk

Cabinet width of 800mm assumes 50mm bridge.



Upgrade to your ideal tap, full range from page 60

DESIGNER PACK

Sink: Centinox CMX 110 17 + CMX 110 50

Tap: Olympus Spring Chrome

Designer Pack Price: **£1001**

SINK ONLY

Sink: Centinox CMX 110 17

Sink Only Price: **£287**

SINK ONLY

Sink: Centinox CMX 110 50

Sink Only Price: **£390**

SUGGESTED UPGRADES

ADD

Plumbing Kit: Siphon 2 **£27**

Centinox

Centinox CMX 110 17 + CMX 110 34 Stainless Steel sinks & Olympus Spring Chrome tap



Extra cost £92	Extra cost £71	Extra cost £126	Extra cost £92	Extra cost £67
Chopping Board 112.0192.964	Stainless Steel Strainer Bowl 112.0262.404	Stainless Steel Drainer Basket 112.0007.664	Mobile Drainer 112.0204.360	Rollamat 40 112.0080.355



STAINLESS STEEL

Sink

Cabinet width of 600mm assumes 50mm bridge.



Upgrade to your ideal tap, full range from page 60

DESIGNER PACK

Sink: Centinox CMX 110 17 + CMX 110 34

Tap: Olympus Spring Chrome

Designer Pack Price: **£929**

SINK ONLY

Sink: Centinox CMX 110 17

Sink Only Price: **£287**

SINK ONLY

Sink: Centinox CMX 110 34

Sink Only Price: **£318**

SUGGESTED UPGRADES

ADD

Plumbing Kit: Siphon 2

£27

Centinox

Centinox CMX 160 34-17
Stainless Steel sink &
Olympus Spring Chrome tap



Extra cost £92	Extra cost £71	Extra cost £126	Extra cost £92	Extra cost £67
Chopping Board 112.0192.964	Stainless Steel Strainer Bowl 112.0262.404	Stainless Steel Drainer Basket 112.0007.664	Mobile Drainer 112.0204.360	Rollamat 40 112.0080.355



STAINLESS STEEL

Sink

This sink cannot be fitted with a flange reveal.



Upgrade to your ideal tap, full range from page 60

DESIGNER PACK

Sink: Centinox CMX 160 34-17

Tap: Olympus Spring Chrome

Designer Pack Price: **£838**

SINK ONLY

Sink: Centinox CMX 160 34-17

Sink Only Price: **£514**

SUGGESTED UPGRADES

ADD

Plumbing Kit: Siphon 2

£27

Largo

Largo LAX 110 45 Stainless Steel sink & Olympus Chrome tap

If fitting into a 500mm cabinet, ensure mounting system can be accommodated.



Extra cost **£126**

Stainless Steel Drainer
Basket 112.0007.664



Extra cost **£92**

Mobile Drainer
112.0188.653



Extra cost **£67**

Rollamat 40
112.0050.988



STAINLESS STEEL

Silk



Upgrade to your ideal tap, full range from page 60

DESIGNER PACK

Sink: Largo LAX 110 45

Tap: Olympus Chrome

Designer Pack Price: **£474**

SINK ONLY

Sink: Largo LAX 110 45

Sink Only Price: **£238**

SUGGESTED UPGRADES

ADD

WDU: Turbo Plus TP-75 **£312**

Plumbing Kit: Siphon 1 **£19**

Largo

Largo LAX 110 50-41 Stainless Steel sink & Olympus Chrome tap



Extra cost **£101**

Stainless Steel Strainer
Bowl 112.0175.520



Extra cost **£72**

Maple Chopping
Board 112.0176.402



Extra cost **£67**

Rollamat 40
112.0050.988



STAINLESS STEEL

Silk



Upgrade to your ideal tap, full range from page 60

DESIGNER PACK

Sink: Largo LAX 110 50-41

Tap: Olympus Chrome

Designer Pack Price: **£552**

SINK ONLY

Sink: Largo LAX 110 50-41

Sink Only Price: **£316**

SUGGESTED UPGRADES

ADD

WDU: Turbo Plus TP-75 **£312**

Plumbing Kit: Siphon 1 **£19**

Largo

Largo LAX 120 45-30 Stainless Steel sink & Olympus Chrome tap
 Visual shows flush fit installation. Standard template cut-out for sink is oversized providing flange reveal to allow accessories to fit if required.



Extra cost £126	Extra cost £92	Extra cost £67
Stainless Steel Drainer Basket 112.0007.664	Mobile Drainer 112.0188.651	Rollamat 40 112.0050.988



STAINLESS STEEL

Sink



Upgrade to your ideal tap, full range from page 60

DESIGNER PACK

Sink: Largo LAX 120 45-30

Tap: Olympus Chrome

Designer Pack Price: **£706**

SINK ONLY

Sink: Largo LAX 120 45-30

Sink Only Price: **£470**

SUGGESTED UPGRADES

	ADD
WDU: Turbo Plus TP-75	£312
Plumbing Kit: Siphon 2	£27

Largo

Largo LAX 120 36-36 Stainless Steel sink & Olympus Chrome tap
 Visual shows flush fit installation. Standard template cut-out for sink is oversized providing flange reveal to allow accessories to fit if required.



Extra cost £92	Extra cost £67
Mobile Drainer 112.0188.651	Rollamat 40 112.0050.988



STAINLESS STEEL

Sink



Upgrade to your ideal tap, full range from page 60

DESIGNER PACK

Sink: Largo LAX 120 36-36

Tap: Olympus Chrome

Designer Pack Price: **£723**

SINK ONLY

Sink: Largo LAX 120 36-36

Sink Only Price: **£487**

SUGGESTED UPGRADES

	ADD
WDU: Turbo Plus TP-75	£312
Plumbing Kit: Siphon 2	£27

Kubus

Kubus KBX 110-70 Stainless Steel sink & Mythos MTX Chrome tap
Visual shows flush fit installation.



Extra cost **£54**

Stainless Steel Strainer
Bowl 112.0014.123



Extra cost **£34**

Stainless Steel Drainer
Grille 112.0014.121



Extra cost **£56**

Chopping Board
112.0014.124



Extra cost **£92**

Mobile Drainer
112.0188.651



STAINLESS STEEL

Silk



Upgrade to your ideal tap, full range from page 60

DESIGNER PACK

Sink: Kubus KBX 110-70

Tap: Mythos MTX Chrome

Designer Pack Price: **£780**

SINK ONLY

Sink: Kubus KBX 110-70

Sink Only Price: **£440**

SUGGESTED UPGRADES

ADD

WDU: Turbo Plus TP-75 **£312**

Plumbing Kit: Siphon 1 **£19**

Kubus

Kubus KBX 160 34-16 Stainless Steel sink & Mythos MTX Chrome tap
Visual shows flush fit installation. Standard template cut-out for sink is oversized
providing flange reveal to allow accessories to fit if required.



Extra cost **£84**

Stainless Steel Strainer
Bowl 112.0014.122



Extra cost **£34**

Stainless Steel Drainer
Grille 112.0014.121



Extra cost **£56**

Chopping Board
112.0014.124



Extra cost **£92**

Mobile Drainer
112.0188.651



STAINLESS STEEL

Silk



Upgrade to your ideal tap, full range from page 60

DESIGNER PACK

Sink: Kubus KBX 160 34-16

Tap: Mythos MTX Chrome

Designer Pack Price: **£797**

SINK ONLY

Sink: Kubus KBX 160 34-16

Sink Only Price: **£457**

SUGGESTED UPGRADES

ADD

WDU: Turbo Plus TP-75 **£312**

Plumbing Kit: Siphon 2 **£27**

Kubus

Kubus KBX 160 55-20 Stainless Steel sink & Mythos MTX Chrome tap
Visual shows flush fit installation. Standard template cut-out for sink is oversized providing flange reveal to allow accessories to fit if required.



Extra cost **£54**

Stainless Steel Strainer Bowl 112.0014.123



Extra cost **£34**

Stainless Steel Drainer Grille 112.0014.121



Extra cost **£56**

Chopping Board 112.0014.124



Extra cost **£92**

Mobile Drainer 112.0188.651



STAINLESS STEEL

Sink



Upgrade to your ideal tap, full range from page 60

DESIGNER PACK

Sink: Kubus KBX 160 55-20

Tap: Mythos MTX Chrome

Designer Pack Price: **£859**

SINK ONLY

Sink: Kubus KBX 160 55-20

Sink Only Price: **£519**

SUGGESTED UPGRADES

	ADD
WDU: Turbo Plus TP-75	£312
Plumbing Kit: Siphon 2	£27

Hydros

Hydros HDX 160 34-15 Stainless Steel sink & Bern Chrome tap
Visual shows flush fit installation. Standard template cut-out for sink is oversized providing flange reveal to allow accessories to fit if required.



Extra cost **£62**

Strainer Bowl Stainless Steel 112.0281.981



Extra cost **£41**

Sanitized Chopping Board 112.0284.156



Extra cost **£126**

Drainer Basket Stainless Steel 112.0007.664



Extra cost **£67**

Rollamat 40 112.0050.988



STAINLESS STEEL

Sink



Upgrade to your ideal tap, full range from page 60

DESIGNER PACK

Sink: Hydros HDX 160 34-15

Tap: Bern Chrome

Designer Pack Price: **£683**

SINK ONLY

Sink: Hydros HDX 160 34-15

Sink Only Price: **£421**

SUGGESTED UPGRADES

	ADD
WDU: Turbo Plus TP-75	£312
Plumbing Kit: Siphon 2	£27



CERAMIC AND GRANITE UNDERMOUNT SINKS

Wonderful spaces should simply flow. With undermount sinks, there is nothing to break the smooth flow of your solid granite or wood worksurface. A granite undermount sink provides a subtle complement to your kitchen design, or alternatively create a bold contrast to granite surfaces with the striking look of a ceramic sink. Either option represents a hardwearing, durable choice that turns a kitchen into a work area that's a pleasure to be in.

FRANKE
by
Villeroy & Boch

This logo indicates the sink has been produced in partnership with leading ceramic brand Villeroy & Boch.



Kubus

Kubus KBG 110 16 + KBG 110 50 Fraganite sinks & Mythos MTX Chrome tap
Cabinet width of 800mm assumes bridge of 50mm.



Extra cost £67

Rollamat 40
112.0050.988



FRAGRANITE SILKSHEEN

	Polar White
	Coffee
	Onyx
	Oyster
	Stone Grey NEW



Upgrade to your ideal tap, full range from page 60

DESIGNER PACK

Sinks: Kubus KBG 110 16 + KBG 110 50	
Tap: Mythos MTX Chrome	
Designer Pack Price:	£889

SINK ONLY

Sink: Kubus KBG 110 16	
Sink Only Price:	£206

SINK ONLY

Sink: Kubus KBG 110 50	
Sink Only Price:	£343

SUGGESTED UPGRADES

SUGGESTED UPGRADES	ADD
WDU: Turbo Plus TP-75	£312
Plumbing Kit: Siphon 2	£27

Kubus

Kubus KBG 110 16 + KBG 110 34 Fraganite sinks & Mythos MTG Chrome tap
Cabinet width of 600mm assumes bridge of 50mm.



Extra cost £67

Rollamat 40
112.0050.988



FRAGRANITE SILKSHEEN

	Polar White
	Coffee
	Onyx
	Oyster
	Stone Grey NEW



Upgrade to your ideal tap, full range from page 60

DESIGNER PACK

Sinks: Kubus KBG 110 16 + KBG 110 34	
Tap: Mythos MTG Chrome Onyx	
Designer Pack Price:	£855

SINK ONLY

Sink: Kubus KBG 110 16	
Sink Only Price:	£206

SINK ONLY

Sink: Kubus KBG 110 34	
Sink Only Price:	£303

SUGGESTED UPGRADES

SUGGESTED UPGRADES	ADD
WDU: Turbo Plus TP-75	£312
Plumbing Kit: Siphon 2	£27

Kubus

Kubus KBG 160 Fragranite sink & Mythos MTX Chrome tap



Extra cost **£67**

Rollamat 40
112.0050.988



FRAGRANITE SILKSHEEN

	Polar White
	Coffee
	Onyx
	Oyster
	Stone Grey NEW



Upgrade to your ideal tap, full range from page 60

DESIGNER PACK

Sink: Kubus KBG 160

Tap: Mythos MTX Chrome

Designer Pack Price: **£740**

SINK ONLY

Sink: Kubus KBG 160

Sink Only Price: **£400**

SUGGESTED UPGRADES

SUGGESTED UPGRADES	ADD
WDU: Turbo Plus TP-75	£312
Plumbing Kit: Siphon 2	£27

Kubus

Kubus KBK 110 40 Ceramic sink & Mythos MTX Chrome tap



Extra cost **£67**

Rollamat 40
112.0050.988



CERAMIC

	White
--	-------



Upgrade to your ideal tap, full range from page 60

DESIGNER PACK

Sink: Kubus KBK 110 40

Tap: Mythos MTX Chrome

Designer Pack Price: **£825**

SINK ONLY

Sink: Kubus KBK 110 40

Sink Only Price: **£485**

SUGGESTED UPGRADES

SUGGESTED UPGRADES	ADD
WDU: Turbo Plus TP-75	£312
Plumbing Kit: Siphon 1	£19

Kubus

Kubus KBK 110 50 Ceramic sink & Mythos MTX Chrome tap



Extra cost £67

Rollamat 40
112.0050.988



CERAMIC

White



Upgrade to your ideal tap, full range from page 60

DESIGNER PACK

Sink: Kubus KBK 110 50

Tap: Mythos MTX Chrome

Designer Pack Price: **£885**

SINK ONLY

Sink: Kubus KBK 110 50

Sink Only Price: **£545**

SUGGESTED UPGRADES

SUGGESTED UPGRADES	ADD
WDU: Turbo Plus TP-75	£312
Plumbing Kit: Siphon 1	£19

Kubus

Kubus KBK 160 Ceramic sink & Mythos MTX Chrome tap
Included 1½" non-sealable basket strainer waste in small bowl.



Extra cost £67

Rollamat 40
112.0050.988



CERAMIC

White



Upgrade to your ideal tap, full range from page 60

DESIGNER PACK

Sink: Kubus KBK 160

Tap: Mythos MTX Chrome

Designer Pack Price: **£985**

SINK ONLY

Sink: Kubus KBK 160

Sink Only Price: **£645**

SUGGESTED UPGRADES

SUGGESTED UPGRADES	ADD
WDU: Turbo Plus TP-75	£312
Plumbing Kit: Siphon 2	£27

Franke by Villeroy & Boch

Franke by V&B VBK 110 50 Ceramic sink & Eiger Chrome tap

This sink cannot be fitted with a reveal due to unglazed flange. VBK ceramic sink measurements may vary +/-1% due to the firing process. We recommend that the sink should be used as a template in all cases.

FRANKE
by
Villeroy & Boch



Extra cost £67

Rollamat 40
112.0050.988



CERAMIC

White

Black



Upgrade to your ideal tap, full range from page 60

DESIGNER PACK

Sink: Franke by V&B VBK 110 50

Tap: Eiger Chrome

Designer Pack Price: (White) £636

Designer Pack Price: (Black) £718

SINK ONLY

Sink: Franke by V&B VBK 110 50

Sink Only Price: (White) £434

Sink Only Price: (Black) £516

SUGGESTED UPGRADES

SUGGESTED UPGRADES	ADD
WDU: Turbo Plus TP-75	£312
Plumbing Kit: Siphon 1	£19

Franke by Villeroy & Boch

Franke by V&B VBK 110 21 + VBK 110 33 Ceramic sinks & Eiger Chrome tap

These sinks cannot be fitted with a reveal due to unglazed flange. Cabinet width of 900mm assumes 50mm bridge. VBK ceramic sink measurements may vary +/-1% due to the firing process. We recommend that the sink should be used as a template in all cases.

FRANKE
by
Villeroy & Boch



Extra cost £67

Rollamat 40
112.0050.988



CERAMIC

White

Black



Upgrade to your ideal tap, full range from page 60

DESIGNER PACK

Sinks: Franke by V&B VBK 110 21 + VBK 110 33

Tap: Eiger Chrome

Designer Pack Price: (White) £885

Designer Pack Price: (Black) £1066

SINK ONLY

Sink: Franke by V&B VBK 110 21

Sink Only Price: (White) £298

Sink Only Price: (Black) £385

SINK ONLY

Sink: Franke by V&B VBK 110 33

Sink Only Price: (White) £385

Sink Only Price: (Black) £479

SUGGESTED UPGRADES

SUGGESTED UPGRADES	ADD
WDU: Turbo Plus TP-75	£312
Plumbing Kit: Siphon 2	£27

Franke by Villeroy & Boch

Franke by V&B VBK 160 Ceramic sink & Eiger Chrome tap

This sink cannot be fitted with a reveal due to unglazed flange. VBK ceramic sink measurements may vary +/-1% due to the firing process. We recommend that the sink should be used as a template in all cases.

FRANKE
by
Villeroy & Boch



Extra cost £67

Rollamat 40
112.0050.988



CERAMIC

White

Black



Upgrade to your ideal tap, full range from page 60

DESIGNER PACK

Sink: Franke by V&B VBK 160

Tap: Eiger Chrome

Designer Pack Price: (White) £717

Designer Pack Price: (Black) £812

SINK ONLY

Sink: Franke by V&B VBK 160

Sink Only Price: (White) £515

Sink Only Price: (Black) £610

SUGGESTED UPGRADES

	ADD
WDU: Turbo Plus TP-75	£312
Plumbing Kit: Siphon 2	£27

Rotondo

Rotondo RUX 110 Stainless Steel sink & Olympus Chrome tap

Visual shows flush fit installation. Standard template cut-out for sink is oversized providing flange reveal to allow accessories to fit if required.



Extra cost £39

Drainer Basket White
112.0050.254



Extra cost £112

Stainless Steel Drainer
Basket 112.0050.639



Extra cost £56

Bamboo Chopping
Board 112.0154.645



Extra cost £67

Rollamat 40
112.0050.988



STAINLESS STEEL

Brushed



Upgrade to your ideal tap, full range from page 60

DESIGNER PACK

Sink: Rotondo RUX 110

Tap: Olympus Chrome

Designer Pack Price: £486

SINK ONLY

Sink: Rotondo RUX 110

Sink Only Price: £250

SUGGESTED UPGRADES

	ADD
WDU: Turbo Plus TP-75	£312
Plumbing Kit: Siphon 1	£19

Rotondo

Rotondo RUG 110 Fragranite sink & Olympus Chrome tap



Extra cost **£39**

Drainer Basket White
112.0050.254



Extra cost **£112**

Stainless Steel Drainer
Basket 112.0050.639



Extra cost **£67**

Rollamat 40
112.0050.988



FRAGRANITE SILKSHEEN

Polar White

Graphite



Upgrade to your ideal tap, full range from page 60

DESIGNER PACK

Sink: Rotondo RUG 110

Tap: Olympus Chrome

Designer Pack Price: **£513**

SINK ONLY

Sink: Rotondo RUG 110

Sink Only Price: **£277**

SUGGESTED UPGRADES

WDU: Turbo Plus TP-75 **£312**

Plumbing Kit: Siphon 1 **£19**

Rotondo

Rotondo RUK 110 Ceramic sink & Olympus Chrome tap

Rotondo ceramic sink and drainer measurements may vary +/- 2% due to the firing process. We recommend that the sink and drainer should be used as a template in all cases.



Extra cost **£112**

Stainless Steel Drainer
Basket 112.0050.639



Extra cost **£67**

Rollamat 40
112.0050.988



CERAMIC

White



Upgrade to your ideal tap, full range from page 60

DESIGNER PACK

Sinks: Rotondo RUK 110

Tap: Olympus Chrome

Designer Pack Price: **(White) £686**

SINK ONLY

Sink: Rotondo RUK 110

Sink Only Price: **(White) £450**

SUGGESTED UPGRADES

WDU: Turbo Plus TP-75 **£312**

Plumbing Kit: Siphon 1 **£19**



Kubus KBK 160 sink with Mythos MTX Chrome tap



Omni Stainless Steel instant boiling water tap






INSTANT BOILING WATER TAPS THE ULTIMATE KITCHEN COMPANION

With kitchen design playing a key role in home improvement, the future of the kitchen has arrived with the introduction of instant boiling water taps. Franke Boiling water taps offer hot, cold and instant 100°C boiling water to save time, energy and water in a single stylish, convenient and space-saving unit.

You can now cook vegetables, create pasta dishes, sterilise baby's bottles and make tea or coffee quicker than ever before with 100°C boiling water available instantly.

Most 'boiling' tap systems only produce less than 98°C so hot drinks don't taste as good as they should. The Franke instant boiling water taps deliver fully boiling 100°C water instantly for the perfect cuppa.

There are 2 ranges of instant boiling water systems, the Minerva 3-in-1 range and the Omni 4-in-1 range, which also provides filtered water.

	Finish	Functions	Filtered	100°C Boiling	Mains Cold	Mains Hot
OMNI 4-IN-1 and OMNI CLASSIC 4-IN-1 	Hi-Shine Solid Stainless Steel	4	✓	✓	✓	✓
MINERVA HELIX and MONDIAL 	Solid Stainless Steel	3	✗	✓	✓	✓
MINERVA ORIGINAL and IRENA 	Chrome	3	✗	✓	✓	✓

OMNI 4-IN-1 RANGE

New Omni 4-in-1 is the one tap that delivers not only hot and cold mains water but also cold and 100°C boiling filtered water. Omni delivers beautifully pure, fresh tasting water, so there's no need for expensive bottled water. Omni is easy to fit in new or existing kitchens, safe to use and ultra reliable with a 3-year warranty. Best of all, it's refreshingly affordable.



4-in-1 technology

Omni is the world's first mechanical 4-in-1 kitchen mixer tap, offering filtered boiling and filtered cold water, as well as the usual mains hot and cold.

Minimal maintenance

Omni is a complete system, including tap, boiler and under sink filter. The filter provides high quality drinking water and also protects the boiler from limescale build-up. Each filter lasts around 6 - 9 months and replacing the filter is as easy as changing a lightbulb.

True 100°C boiling water

Most 'boiling' tap systems only produce less than 98°C so hot drinks don't taste as good as they should. Omni delivers fully boiling 100°C water instantly for the perfect cuppa.

Easy installation

Virtually no tools and minimal plumbing skills are required for installation.

Safety assured

Omni is safer than a traditional kettle in so many ways; there are no cords which can be pulled to avoid any nasty accidents as on a kettle. The childproof push-to-activate lever helps to keep boiling water away from little hands. The lever is also spring loaded to switch off instantly if any splashes occur.

A child safety clip is provided for total protection from curious little hands or visitors to your home. All this and the patented chassis engineering means the tap is never too hot to the touch. It stays cool even when producing boiling water.

A full 3-year guarantee for total reliability

A 3-year manufacturer's warranty covers the complete system for your total peace of mind.

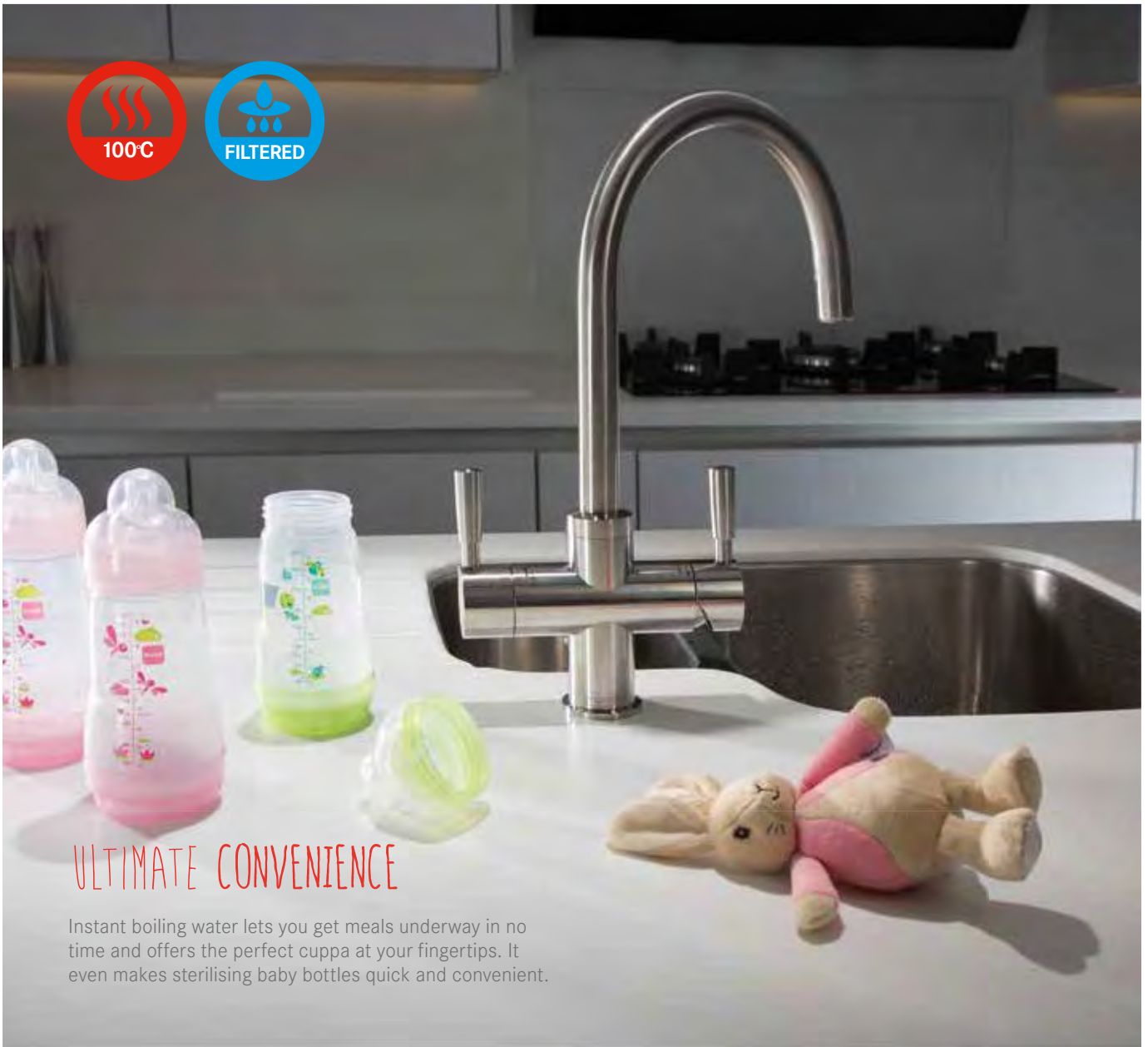
Exceptional aftercare

Our UK based advisors are always on hand to help. Filters tell you when they need replacing, and replacements are easy to order by phone or online.

www.franke.co.uk/omni



ONE TAP DOES IT ALL



ULTIMATE CONVENIENCE

Instant boiling water lets you get meals underway in no time and offers the perfect cuppa at your fingertips. It even makes sterilising baby bottles quick and convenient.

Omni 4-in-1



Boiling water control can be positioned on the left or right side.



4.2L Vertical Tank

FINISH

Stainless Steel £1349

Omni Classic 4-in-1



Boiling water control can be positioned on the left or right side.



4.2L Vertical Tank

FINISH

Stainless Steel £1349

MINERVA 3-IN-1 RANGE



The Minerva 3-in-1 tap provides hot, cold and 100°C boiling water. The humble kitchen tap is transformed into a space-saving, time-saving helper with this boiling water tap and there are 4 stylish designs to choose from.

Safety is assured with a two-step safety handle, while fully insulated spout and handle ensures that they both stay cool to the touch. The Minerva system features a space-saving water tank that fits discreetly into your kitchen so that boiling water is always ready when you need it. Unlike a kettle, it only uses what is required, heating the water silently and delivering boiling water instantly.

Discreet and suitable for almost any kitchen, the horizontal heating tank sits neatly behind a standard 150mm cabinet plinth, freeing up much-needed cupboard space.

Those who have chosen Minerva in their kitchen have found it not only provides a stylish and functional addition to their home, but also a real talking point.



Please note: The Franke Minerva range of taps require a minimum water pressure of 1.5 bar hot and 1.5 bar cold to function correctly, please consult your plumber or installer before purchase.



Minerva Original 3-in-1



Boiling water control can be positioned on the left or right side.



5L Horizontal Tank

FINISH

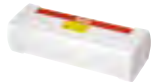
Chrome

£999

Minerva Irena 3-in-1



Boiling water control can be positioned on the left or right side.



5L Horizontal Tank

FINISH

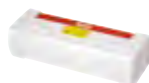
Chrome

£999

Minerva Helix 3-in-1



SOLID STAINLESS STEEL



5L Horizontal Tank

FINISH

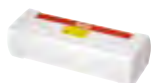
Stainless Steel

£1100

Minerva Mondial 3-in-1



SOLID STAINLESS STEEL



5L Horizontal Tank

FINISH

Stainless Steel

£1100

FRANKE FILTERFLOW



Franke launched the first fully integrated filter tap system over twenty years ago. Today, our stylish and superbly engineered FilterFlow range is still regarded as being the blueprint for multi-tasking kitchen taps. Having filtered water at your fingertips means no more cumbersome, expensive bottled water, and naturally, there is the peace of mind of knowing your family's drinking water is clean, refreshing and free of impurities.



How do FilterFlow taps work?

Franke FilterFlow taps are connected to a compact filter system that is fitted below the sink. When you select the tap's third lever, cold water is diverted through the filter system. The system's filter cartridge removes contaminants before the freshly filtered water travels back through a dedicated waterway inside the tap's spout.

The filtration process

FilterFlow filter cartridges provide a unique and highly effective two-stage filtration process. The cartridges feature an outer ceramic shell and an inner carbon core. The fine ceramic has the ability to trap even the most microscopic of impurities, down to sub-micron level. The activated carbon core is manufactured from solid carbon rod, and eliminates contaminants such as chlorine and heavy metals, as well as unpleasant odours.

Which impurities does a FilterFlow tap remove?

Franke FilterFlow taps will remove a wide range of impurities, including chlorine and chloramine – which you can often smell in tap water – organic matter, chemical and pharmaceutical traces, metallics and sediment. Importantly, a FilterFlow tap also has the capacity to remove harmful, sickness inducing bacteria, if it is present.





What about the things that are good for you?

The FilterFlow tap won't remove minerals and desirable elements such as calcium, magnesium and fluoride. These are dissolved in the water and no part of the filtration process removes these from the water. They remain intact – and help to ensure your water is as healthy as it is refreshing.



Technical essentials

On average, a Franke FilterFlow tap will deliver around 2,500 litres of filtered water before its filter cartridge will need changing. And that couldn't be simpler. It's a 1-2-3 operation and as easy as changing a lightbulb.

Please note: Franke FilterFlow taps require a minimum water pressure of 1 bar (hot and cold). Be sure to ask a qualified installer to check your home's plumbing system and water pressure before purchase.



FilterFlow Olympus
Hand Spray Chrome tap

FilterFlow Taps with Hand Sprays

These offer exactly the same filtration performance as the standard FilterFlow taps, but deliver extra versatility thanks to stand-alone hand spray. Hand sprays divert water from the mixed water, saving the lifespan of the filter. They are invaluable for spritzing garden-fresh vegetables, rinsing crockery before it goes into the dishwasher and for keeping your sink clean and in pristine condition.

Perfectly co-ordinated, yet practical

FilterFlow hand sprays have been specially designed to complement the look and feel of our FilterFlow taps. With a hose length of 1 metre and an insulated handle, they are also safe and highly practical. Hot, cold or mixed flow of water can be diverted to the hand spray.



For more comprehensive information visit the FilterFlow section of our website at franke.co.uk/filterflow

Franke FilterFlow Doric



Stainless steel filter housing

FINISH	
	Chrome £667
	SilkSteel £727

Franke FilterFlow Kubus



Stainless steel filter housing

FINISH	
	Chrome £667
	SilkSteel £727

Franke FilterFlow Olympus



Stainless steel filter housing

FINISH	
	Chrome £667
	SilkSteel £727

Franke FilterFlow Corinthian



Stainless steel filter housing

FINISH	
	Chrome £645
	SilkSteel £698

Franke FilterFlow Mini



FINISH	
	Chrome £245
	SilkSteel £265



**FILTERFLOW TAPS
WITH HAND SPRAYS**

**Franke FilterFlow
Doric with Hand Spray**



Stainless steel filter housing



Hand Spray

FINISH	
	Chrome £872
	SilkSteel £969

**Franke FilterFlow
Kubus with Hand Spray**



Stainless steel filter housing



Hand Spray

FINISH	
	Chrome £918
	SilkSteel £1002

**Franke FilterFlow
Olympus with Hand Spray**



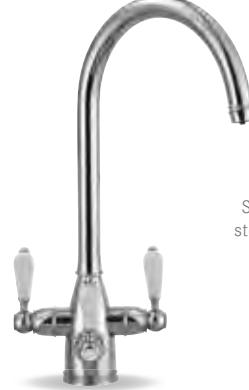
Stainless steel filter housing



Hand Spray

FINISH	
	Chrome £918
	SilkSteel £1002

**Franke FilterFlow
Corinthian with Hand Spray**

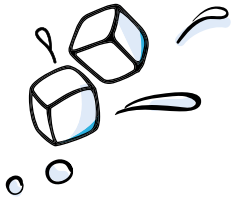


Stainless steel filter housing



Hand Spray

FINISH	
	Chrome £872
	SilkSteel £969



SPECIALIST TAP RANGE

The Franke Specialist tap range is a technically and aesthetically advanced collection offering a wide choice of taps to suit every style of kitchen.

Bern Chrome tap



Portfolio 55 Taps

Designed for a discerning clientele, this collection has styles and attributes to meet every taste. Franke is so confident of the quality and manufacture of these models, that we guarantee them for 5 years on the finish and 5 years on parts.

Solid Stainless Steel Taps

Those desiring the ultimate in design and robust durability need to look no further than the Franke Solid Stainless Steel taps within the Portfolio 55 range. These taps will perfectly complement your stainless steel sink for a coordinated space.

PORTFOLIO 55
BY FRANKE



Sinos SNX 251 Sink with Sinos SilkSteel tap

Rolux Pull-Out Nozzle



PORTFOLIO 55



Pull-out Nozzle Detail

FINISH	
	Chrome £718

Arena Pull-Out Spray



Pull-Out Spray

FINISH	
	Chrome £458
	SilkSteel PVD £496

Swiss-Pro Pull-Out Spray



PORTFOLIO 55



SOLID STAINLESS STEEL



Pull-Out Spray

FINISH	
	Stainless Steel £551

Planar



FINISH	
	Chrome £341
	SilkSteel £360

Olympus Side Spray



Side Spray

FINISH	
	Chrome £368

Aria Pull-Out Nozzle



Pull-Out Nozzle

FINISH	
	Chrome £351
	SilkSteel PVD £389

Mythos MTG



Onyx shoulders are designed to co-ordinate with Fraganite Onyx sinks

FINISH	
	Chrome £346

Mythos MTX



FINISH	
	Chrome £340
	SilkSteel £353

Olympus Spring



FINISH	
	Chrome £324
	SilkSteel £347

Augusta



FINISH	
	Chrome £315
	SilkSteel £347

Sirino Pull-Out Spray



FINISH	
	Chrome £299

Belfast Pull-Out Nozzle



Pull-Out Nozzle

FINISH	
	Chrome £288
	SilkSteel £308

Venician



FINISH	
	Chrome £296
	SilkSteel £353

Maris Pull-Out Spray



2 Spray Function Trigger

FINISH	
	Chrome £294
	SilkSteel £314

Star



FINISH	
	Chrome £290
	SilkSteel £322

Sinos



FINISH	
	Chrome £290
	SilkSteel £322

Eos



PORTFOLIO 55



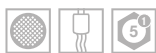
FINISH	
	Stainless Steel £269

Maris



FINISH	
	Chrome £263
	SilkSteel £290

Fuji Pull-Out Nozzle



Pull-Out Nozzle

FINISH	
	Chrome £264
	SilkSteel £283

Forza



FINISH	
	Chrome £255

Atlas



PORTFOLIO 55
BY FRANCK



FINISH	
	Stainless Steel £256

Nyon



PORTFOLIO 55
BY FRANCK



FINISH	
	Stainless Steel £256

Panto



PORTFOLIO 55
BY FRANCK



FINISH	
	Stainless Steel £254

Bern Registered Design



FINISH	
	Chrome £262
	SilkSteel £297

Fuji



FINISH	
	Chrome £248
	SilkSteel £265

Valais



PORTFOLIO 55
by FRANKE



SOLID STAINLESS STEEL

FINISH	
	Stainless Steel £232

Olympus



FINISH	
	Chrome £236
	SilkSteel £252

Bridge Lever



FINISH	
	Chrome £225
	SilkSteel £242

Cristallo



FINISH	
	Chrome £199
	Silk Steel £220

Eiger



FINISH	
	Chrome £202
	SilkSteel £220

Bridge



FINISH	
	Chrome £198

Davos 'J'



FINISH	
	Chrome £153
	SilkSteel £185

Davos



FINISH	
	Chrome £153
	SilkSteel £185

Rotaflow



Directional Nozzle

FINISH	
	Chrome £123
	SilkSteel £140

Tap Brace



The tap brace is installed under the sink and connects the tap to the worktop for extra support. It has a variable collar to ensure it will fit any model of tap and can be used on any inset stainless steel sink.

PRICE	
133.0026.896	£13

Soap Dispenser



The Franke Soap Dispenser provides a fast and easy to operate hand pump for all liquid soaps. It fits neatly and unobtrusively alongside sinks in the worktop, its design carefully chosen to complement the Specialist tap range.

PRICE	
Chrome 119.0049.852	£71
SilkSteel 119.0049.853	£78



KITCHEN SOLUTIONS

Franke innovation doesn't end with sinks and taps. We strive to make your life easier in every aspect of your kitchen with a range of convenient and practical kitchen solutions.

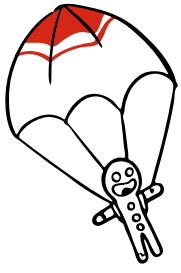
From dealing with unsightly household waste in a hygienic manner to effortlessly sorting waste for recycling, they are designed to save time and to incorporate kitchen essentials discreetly into kitchen units, so that you can maintain a clean, uncluttered kitchen.



Inset waste bin



Sorter 300



FRANKE WASTE SORTERS

Fitting neatly into most standard cabinets Franke waste sorters feature separate plastic containers to sort domestic waste into different categories such as food, cans, plastic and paper. A lid closes over the bins to contain any odours. Franke Sorters are the convenient alternative to the conventional waste bin.

Soft-Close Drawer Systems

The Franke 350 Series Waste Sorters have been designed to be installed into modern soft-close drawer systems including Blum, Hettich and Grass. Sorter 350-50 and 350-60 models can only be used in conjunction with soft-close drawer systems i.e. not suitable for standard cabinets.

- Soft-close drawer system
- Accommodated in cabinet floor
- System lid with integrated charcoal filter

Sorter 350-50



Cabinet width 500mm
1 x 35L bin



Sorter 350-50

PRICE
£154

Sorter 350-60



Cabinet width 600mm
1 x 35L
1 x 5.5L bins



Sorter 350-60

Collect Bag 133.0038.258

PRICE
£193
£19

Standard Door Systems

The Franke 300 Series Sorter Systems are a useful addition to any kitchen with standard doors, fitting neatly into 450mm and 600mm kitchen base units. Each bin has a handle that can also be used to secure waste bags. The roll-out carrier is fully waterproof, simple to dismantle and easy to clean.

The Sorter Solo 50 and Solo 60 are mounted on a standard cabinet side wall to offer a convenient waste solution, featuring a system lid with integrated charcoal filter.

- Standard door system
- Mounted on standard cabinet side wall
- Soft-close mechanism

Sorter 300-45 Duo

Cabinet width 450mm
2 x 22L bins



PRICE

Sorter 300-45 Duo

£252

Sorter 300-45 Trio

Cabinet width 450mm
1 x 22L bin and 2 x 10L bins



PRICE

Sorter 300-45 Trio

£263

Sorter 300-60 Duo

Cabinet width 600mm
2 x 22L bins



PRICE

Sorter 300-60 Duo

£263

Sorter 300-60 Trio

Cabinet width 600mm
1 x 22L bin and 2 x 10L bins



PRICE

Sorter 300-60 Trio

£273

Sorter Solo 50

Cabinet width 500mm
1 x 35L bin

NEW



PRICE

Sorter Solo 50

£103

Sorter Solo 60

Cabinet width 600mm
1 x 35L bin

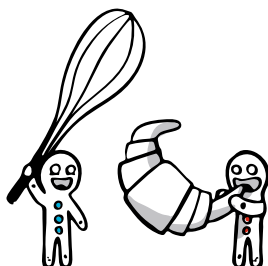
NEW



PRICE

Sorter Solo 60

£116



WASTE DISPOSAL UNITS

A choice of four waste disposal units designed to free the kitchen of unsightly and unhygienic organic household waste. Each unit is the essential add-on for ensuring that all Franke appliances and work surfaces remain looking immaculate.

Thanks to a permanent magnet motor, Franke Turbo Waste Disposal Units reach high speed in a split second, producing more torque per kilo than any other of its type. Whilst running water through the unit, food waste is instantly liquefied into fine particles that are easily flushed through the pipework system.



Waste Disposal Unit Turbo Plus TP-50



FEATURES

Feed:	Continuous*
Motor Horsepower:	½ HP
Motor Speed RPM:	2600
Motor Type:	High Torque Dual Magnetic
Air Switch:	Integral
Mounting System:	Professional 3-bolt
Warranty:	8 Years

PRICE

£248

Waste Disposal Unit WDU Turbo Plus TP-75



FEATURES

Feed:	Continuous*
Motor Horsepower:	¾ HP
Motor Speed RPM:	2700
Motor Type:	High Torque Dual Magnetic
Air Switch:	Integral
Mounting System:	Professional 3-bolt
Warranty:	10 Years

PRICE

£312

Waste Disposal Unit Turbo Plus TP-125



FEATURES

Feed:	Continuous*
Motor Horsepower:	1.25 HP
Motor Speed RPM:	2800
Motor Type:	High Torque Dual Magnetic
Air Switch:	Integral
Mounting System:	Professional 3-bolt
Warranty:	Lifetime

PRICE

£387

Waste Disposal Unit Turbo Plus TP-125B



FEATURES

Feed:	Batch**
Motor Horsepower:	1.25 HP
Motor Speed RPM:	2800
Motor Type:	High Torque Dual Magnetic
Air Switch:	N/A
Mounting System:	EZ Mount
Warranty:	10 Years

PRICE

£348



Extended flange

An extended flange is available from service agents at extra cost if required when fitting to ceramic sinks.

PRICE

133.0287.905

£33



Waste Bin

The Franke Waste Bin is an inset stainless steel system with a standard 12 litre polyethylene container. This clever feature fits flush with the worktop, allowing you to scoop in waste with ease. Replace the cover and the unit is concealed with odours safely sealed inside.

PRICE

134.0035.042

£237

*Continuous Feed models are operated by an Air Switch (or alternative) and waste food is fed through the open neck of the unit.
 **Batch Feed model is activated by loading the chamber and rotating the WDU plug. Batch Feed model not compatible with ceramic sinks.
 In both cases, a continuous supply of water is necessary whilst the WDU is in use. Member of REPIC for WEEE Regulations. EEE producer Registration number - WEE/DG0059TT. When fitting a WDU to a single bowl model sink, it may be necessary to purchase an adaptor from the sink overflow, available from our service agents.



Sinos Black hood

CHOOSING YOUR FRANKE HOOD

The kitchen hood is not simply a functional item to remove steam and odours. The right choice can enhance the whole look of a kitchen, providing a dramatic design statement or an understated complement to the overall aesthetic. As you'd expect from a Franke product, every hood in our range achieves the very highest standard of quality and technical excellence, combined with exceptional attention to detail and finish.

The range offers a true diversity of options; from ceiling, downdraft and wall mounted installation to designs particularly suited for use with an island unit. Powerful, quiet and modern in styling, they provide the optimum environment to create exceptional cooking.

Apart from the different style options, the main factor determining choice of hood is the size of the kitchen. The hood must be powerful enough to change the air in the room 10 times an hour, when in operation.

INSTALLATION TYPES



Ceiling Hoods

As the name suggests, the hood is installed directly into the ceiling and represents an understated choice, which can lend a more open feel to a kitchen.



Island Hoods

In larger kitchens boasting an island cooking area, an island hood is the perfect complement to create a focal point to the space.



Wall Mounted Hoods

Venting directly out of the wall, or set to recirculating mode, wall mounted hoods offer a wide range of styles to suit your individual kitchen, each with innovative features and a premium finish.



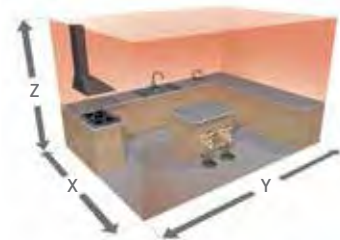
Downdraft Hood

For those wishing to make a real design statement, or just looking for something a little different, look no further than a downdraft hood. Featuring cutting-edge technology, the hood subtly retracts directly into the kitchen worktop at the touch of a button.

Optimum Rate of Airflow

To decide which hood to choose, first calculate the volume of the room. This figure can be arrived at by multiplying room length x width x height. So a kitchen that is 4 x 4 x 2.5 metres has a volume of 40m³. (see diagram).

This room volume figure is then further multiplied by 10 to obtain the optimum rate of airflow for that room, based on the need to change the air ten times an hour. So our kitchen of 40m³ x 10 = 400 – meaning it would require an extraction rate of 400m³/h for efficient ventilation of the room. For optimum extraction capability ensure that the hood width is equivalent or greater than the width of your hob.



Typical kitchen volume example:
X = 4m Y = 4m Z = 2.5m

HOODS FEATURES AND BENEFITS IN DETAIL

Each hood in the Franke range has a unique set of features designed to make your life easier and make the cooking experience more enjoyable. Here you can discover which hood is just right for you.

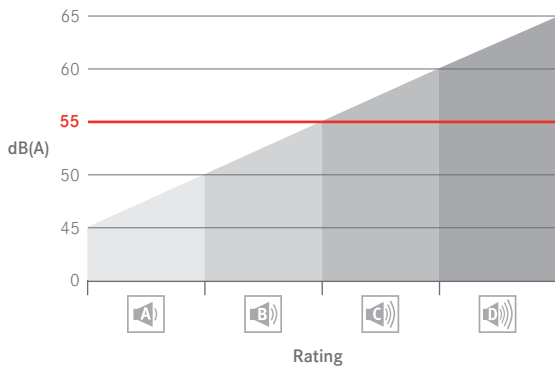
Sound Insulation

To assist in your choice of Franke hood we have used symbols as a guide to the relative noise level you may expect in a typical sized kitchen, where an optimum noise level of 55 decibels is ideal.

Effective sound insulation is important in ensuring a calm, welcoming kitchen environment. Whether it's sound dampening comfort panels in perimetric units or the silent kit cushions inside the central unit of other extractors, you can be sure of unrivalled noise reduction performance in all Franke hoods.



Hood Decibel Rating (dB(A) at 400m³/h)



Washable Filters

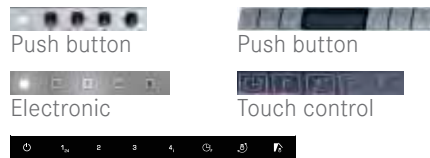
All of the filters in Franke hoods are washable which extends their life-span and preserves their efficiency. The filters can be conveniently removed and require no special cleaning products to get them back to pristine condition. Just put them in the dishwasher.

Filtering Function

Where a Franke hood is installed in an environment where no external flue is available, fumes can be managed by recycling the air going into the unit. These models utilise the latest charcoal filters to trap undesired odours.

Control Types

Franke hoods offer a variety of technologically advanced control systems that combine ease of use with striking aesthetics. The various units possess either functional push button, electronic, or the sleek look of a touch control system. Even a remote control is an option on some models.



Ghost controls

Extraction Speed Settings

All Franke hoods come fully equipped with a variety of speed settings, ranging from 3 to 8 speeds. Some units also include an intense setting, for short, powerful bursts to remove unpleasant odours as quickly as possible.

Digital Display

Utilising the latest in digital technology, Franke offer simple and versatile controls for the hood. Attractively illuminated digital displays are features of some of the more advanced electronic and touch controlled units.

Types of Motor

Whether it's the excellent Brushless (BL), the high performance ENERGY or the unbeatable quiet and efficient PRO+ Motor and Radical motors you can always expect quality, reliability and superb power from your Franke hood.

Continuous 24 hour Ventilation

Keep your kitchen feeling fresh and clear of unwanted odours with the 24 hour ventilation function which provides a constant flow of clean air running through the room at various intervals.

Anti-condensation technology

Revolutionary heated glass designed to prevent condensation water droplets from beneath the hood whilst cooking.

Greenline technology

Equipped with a brushless motor and LED lamps allowing up to 85% of energy saving versus a standard motor.

Perimetric Extraction

Perimeter method extraction offers superior levels of efficiency, with air flowing around the edges of the hood panels. Based on the principles of the Venturi effect, air accelerates as it passes through the constricted space, then decreases immediately as it enters the hood, providing terrific extraction without requiring added pressure.

Automatic Cut Off Timer

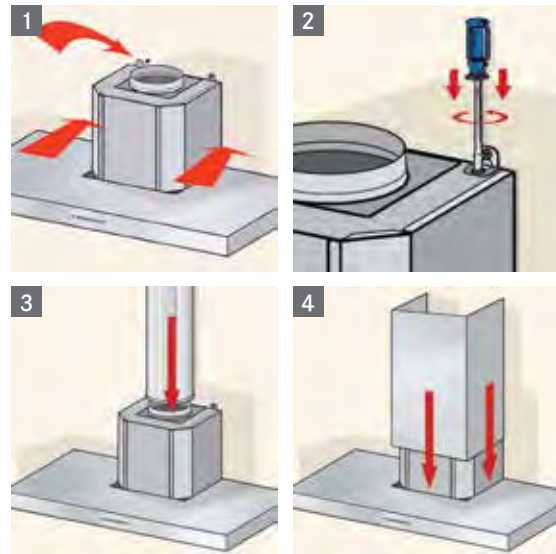
Large, modern kitchens combined with the reduced noise of Franke hoods make it easy to forget that the hood is running. To put your mind at rest, we equip our products with an automatic cut off timer. This feature is also extremely useful for those who wish to leave the extractor running for a short while after leaving the kitchen to remove any lingering smells.

Charcoal Filters



Required on all recycling hood units, charcoal filters are used to catch unwanted odours and are supplied in either circular or square format, depending on the model. Please check models for configuration.

FILTER	FUN No.	PRICE (INC.VAT)
Filter A	112.0016.755	£20
Filter B	112.0016.756	£20
Filter C	112.0056.032	£20
Filter D	112.0017.738	£20
Filter E	112.0262.703	£180
Filter F	112.0339.360	£83



Easy-Fit System

With the innovative easy-fit system, installing a hood becomes a simple task. The hood slides right into the centrally mounted core, giving superb accessibility for maintenance, plus the ability to clean quickly and easily without the need for technical assistance.

Comfort Light

Reduced hood light intensity at the touch of a button, giving a more subdued ambient light in the kitchen area. Thanks to its low level of energy consumption, the comfort light can be left on for long periods of time.

Filter Saturation Indicator

Ensuring that a Franke hood is always operating at its optimum performance level is simple with a function that indicates when the filters require maintenance. The metal filters on Franke hoods can be easily cleaned in a dishwasher, whilst the indicator also notifies when to replace charcoal filters when fitted.

Remote Control

Some Franke hoods offer the option of remote control operation, for the ultimate in technological luxury in the kitchen.



£45 (Inc. VAT) 112.0174.991
Requires 2 x AAA Batteries (not included).



Galaxy Ceiling hood

THE CEILING HOOD RANGE

Increasingly the kitchen is becoming the centre piece of the home, so more and more the need for efficient extraction is becoming a prime requirement.

Galaxy Hoods are unobtrusive and efficiently provide all the extraction capabilities required. Two models are available to suit most requirements and typical examples of installation are provided on page 95.

All ceiling models are supplied with a remote control.

Galaxy

(without motor)



WM = Without Motor
(Separate remote motor)



Price shown is inclusive of separate motor and frame.
The motor is provided separately and must be installed
at a distance between 3 and 6 metres from the hood.

GALAXY CEILING (without motor)	
Model: FGA 1000 FX WM EU16	110.0355.704
Width: 100cm	
Price:	£1419

Galaxy Ceiling



Integrated motor.
Minimum 300mm gap above ceiling is required.

GALAXY CEILING	
Model: FGA 1000 FX EU16	110.0355.703
Width: 100cm	
Price:	£1579

Maris Built Under



White glass base. 2 Linear LED Lights
Plug and play easy installation. Recirculatory mode only.

MARIS BUILT UNDER CEILING HOOD	
Model: FCBU 1204 C WH	110.0338.390
Width: 120cm	
Price:	£1499



Maris T-Shape Island hood

THE ISLAND HOODS RANGE

An island hood makes a statement. The perfect complement to an island unit hob, it is a design feature that becomes a kitchen focus. Installed from the ceiling, island hoods look great from all aspects.

The Franke range includes the cylindrical Tube Island and the geometric Glass Linear Island models, both of which have a host of features and offer excellent extraction performance, as you would expect from a Franke product. The new Maris T-Shape Island hood is a Greenline Model (A energy rating) and incorporates innovative anti-condensation technology.

Tube Island



TUBE ISLAND	
Model: FTU 3807 XS 77H	110.0361.040
Width: ø37cm	
Price:	£799
Glass Kit	
Width: 90cm	112.0016.761
Price:	£259

Glass Linear Island



GLASS LINEAR ISLAND	
Model: FGL 915 XS	110.0152.543
Width: 90cm	
Price:	£690

Maris T-Shape Island

Anti-condensation model



MARIS T-SHAPE ISLAND	
Model: FGB 906 IS AC	110.0338.388
Width: 90cm	
Price:	£1499



Downdraft hood

DOWNDRAFT HOOD

For those who want the ultimate in minimalist design the Franke Downdraft hood is the perfect option. The hood is positioned behind the hob and rises from the worktop at the touch of a button. The downdraft hood is an extremely attractive feature in any kitchen yet allows for an unobtrusive, subtle kitchen style. The motor for the Downdraft hood is situated in the cabinet underneath the hob which can be vented through an external wall, or set-up in re-circulatory mode.



Downdraft



DOWNDRAFT

Model: FDW 908 IB XS

110.0365.588

Width: 88cm

Price:

£1576



Maris Plus hood



Sinos Black hood

WALL MOUNTED HOODS

When your kitchen layout requires a wall mounted hood our most extensive range of styles and features are available to you. All of our wall mounted hoods can be installed to vent out through an external wall or alternatively installed to work in recirculating mode filtering the air and returning it back into the kitchen.

For complete synergy in your kitchen design, consider the new ultra-modern Sinos hood which perfectly complements the Sinos sink and tap.

Sinos



Greenline Technology: up to 85% energy saving versus a standard motor.

SINOS BLACK	
Model: FSN 908 BK A-CH	110.0310.268
Width: 90cm	
Price:	£999
SINOS WHITE	
Model: FSN 908 WH A-CH	110.0310.270
Width: 90cm	
Price:	£999

Swing



Greenline Technology: up to 85% energy saving versus a standard motor.

SWING BLACK

Model: FSW 918 TC W BK XS-CH V2 110.0277.553

Width: 90cm

Price: **£1713**

SWING WHITE

Model: FSW 918 TC W WH XS-CH V2 110.0277.573

Width: 90cm

Price: **£1656**

Maris T-Shape Wall

Anti-condensation model



MARIS T-SHAPE WALL

Model: FGB 906 W AC 110.0338.359

Width: 90cm

Price: **£1299**

Maris Plus



Greenline Technology: up to 85% energy saving versus a standard motor.

MARIS PLUS 60

Model: FMPL 606 BK B 110.0338.340

Width: 60cm

Price: **£699**

MARIS PLUS 80

Model: FMPL 806 BK B 110.0338.355

Width: 80cm

Price: **£749**

MARIS PLUS 90

Model: FMPL 906 BK B 110.0338.357

Width: 90cm

Price: **£789**

Chimney Kit: (for ducted installation) 112.0197.447

Price: **£79**

Tube Wall



TUBE WALL

Model: FTU 3807 W XS 70H 110.0361.048

Width: ø37cm

Price: £489

GLASS KIT

112.0016.760

Width: 90cm

Price: £249

Decorative Format



DECORATIVE FORMAT

Model: FDF 12274 XS-CH 110.0277.726

Width: 120cm

Price: £599

Glass Curved



Glass Curved 60

Glass Curved 90



GLASS CURVED 60

Model: FGC 615 XS 110.0152.529

Width: 60cm

Price: £273

GLASS CURVED 90

Model: FGC 906 XS-CH 110.0016.634

Width: 90cm

Price: £366

Glass Linear



GLASS LINEAR 70

Model: FGL 7015 XS 110.0152.537

Width: 70cm

Price: **£238**

GLASS LINEAR 90

Model: FGL 9015 XS 110.0152.538

Width: 90cm

Price: **£273**

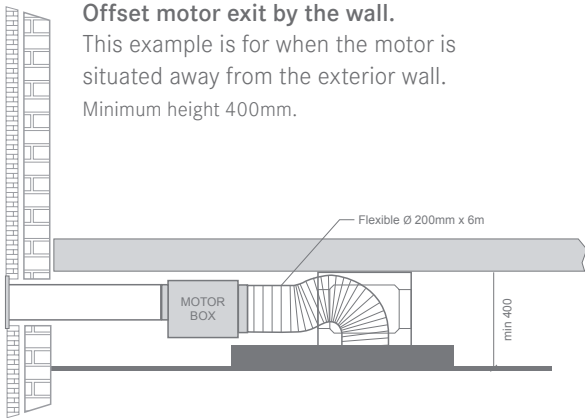
GALAXY CEILING HOODS INSTALLATION SUGGESTIONS FOR REMOTE MOTOR*

The motor can be fitted remotely in a number of different options, some of which are shown below.

Example 1

Offset motor exit by the wall.

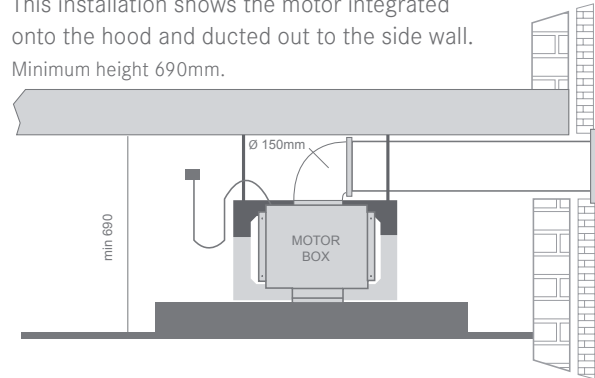
This example is for when the motor is situated away from the exterior wall.
Minimum height 400mm.



Example 2

Integrated motor exit by the wall.

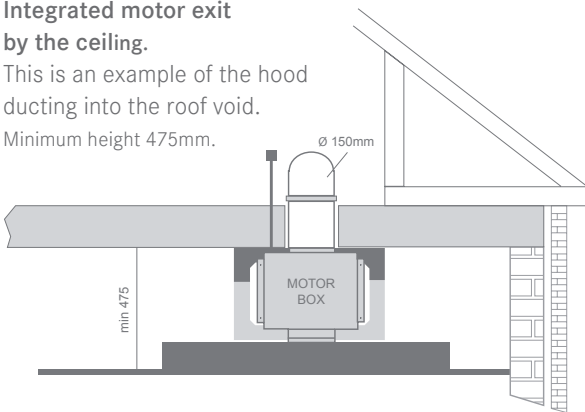
This installation shows the motor integrated onto the hood and ducted out to the side wall.
Minimum height 690mm.



Example 3

Integrated motor exit by the ceiling.

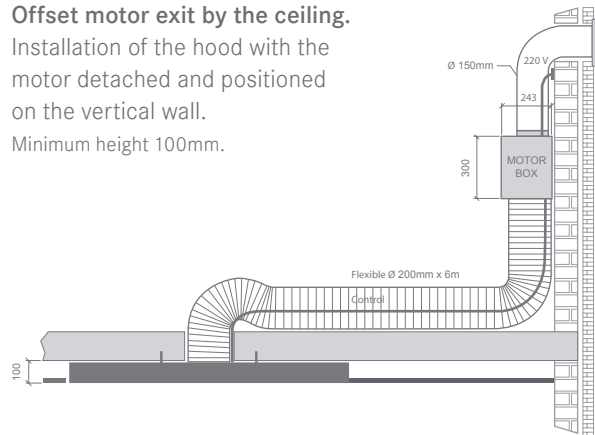
This is an example of the hood ducting into the roof void.
Minimum height 475mm.



Example 4

Offset motor exit by the ceiling.

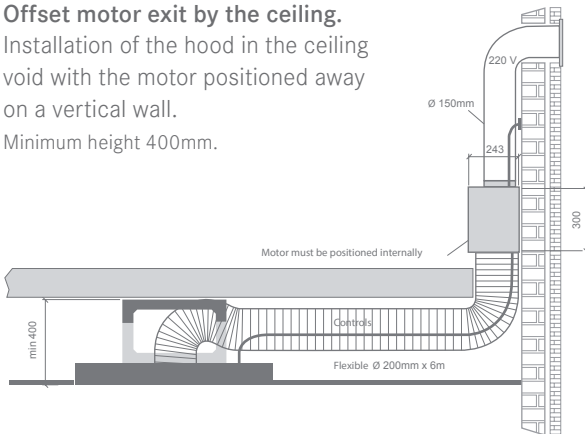
Installation of the hood with the motor detached and positioned on the vertical wall.
Minimum height 100mm.



Example 5

Offset motor exit by the ceiling.

Installation of the hood in the ceiling void with the motor positioned away on a vertical wall.
Minimum height 400mm.





TECHNICAL SPECIFICATIONS














A comprehensive overview of all products in the Franke Specialist range, incorporating dimensions, formats and available finishes.

- 97-102 Sink specifications
- 103-105 Tap specifications
- 106-111 Hood specifications
- 112-113 Kitchen Solutions



		Dimensions (mm)				Installation			Plumbing Kit	Finish & Colour options	FUN Number	Sink only Price
		Cabinet Size	Overall Size	Bowl Size(s)	Cut out Size	Inset	Undermount	Belfast				
Stainless Steel Inset Sinks												
Ariane ARX 670		1000	1000 x 510	350 x 435 x 175 170 x 320 x 120 350 x 435 x 175	984 x 494 cr=20	■			S3	Silk	101.0151.685	£614
Centinox CEX 210		600	555 x 465	500 x 410 x 200	537 x 447 cr=20	■			S1	Silk	127.0273.348	£647
Compact Plus CPX P 610		450	400 x 480	340 x 420 x 175	384 x 464 cr=20	■			S1	Silk	101.0018.203	£220
Compact Plus CPX P 611 780		450	780 x 500	340 x 420 x 175	764 x 484 cr=20	■			S1	Silk	LHD 101.0182.232 RHD 101.0182.233	£326
Compact Plus CPX P 611 965		450	965 x 500	340 x 420 x 175	949 x 484 cr=20	■			S1	Silk	LHD 101.0182.322 RHD 101.0182.324	£358
Compact Plus CRX P 651		600	965 x 500	340 x 420 x 175 165 x 300 x 130	949 x 484 cr=20	■			S2	Silk	REV 101.0049.180	£386
Compact Plus CPX P 652		600	1325 x 500	340 x 420 x 175 165 x 300 x 130	1309 x 484 cr=20	■			S2	Silk	LHSB 101.0182.240	£608
Hydros HDX 614		450	860 x 510	340 x 435 x 175	844 x 494 cr=20	■			S1	Silk	LHD 101.0314.563 RHD 101.0314.567	£421
Hydros HDX 654		600	965 x 510	340 x 435 x 175 155 x 340 x 120	949 x 494 cr=20	■			S2	Silk	LHD 101.0314.562 RHD 101.0314.564	£481
Largo LAX 211 W 36		600	1000 x 520	360 x 390 x 175	987 x 507 cr=10-20	■			S2	Silk	LHD 127.0315.073 RHD 127.0315.075	£791
Largo Butler		300	220 x 470	137 x 220 x 211 149 x 101 x 230	204 x 454 cr=0-20	■			S1	Silk	134.0299.003	£294
Laser LSX 611		500	895 x 510	390 x 445 x 175	882 x 497 cr=10 Utilise template	■			S1	Silk	LHD 101.0066.683 RHD 101.0066.686	£327
Laser LSX 651		600	990 x 500	350 x 435 x 175 160 x 300 x 120	977 x 487 cr=10 Utilise template	■			S2	Silk	LHD 101.0066.688 RHD 101.0066.690	£423
Midas MTX 610-55		600	600 x 510	550 x 400 x 190	587 x 497 x cr=10	■			S1	Silk	101.0364.678	£478
Midas MTX 660 34-16		600	600 x 510	340 x 400 x 175 160 x 400 x 130	587 x 497 x cr=10	■			S2	Silk	RHSB 101.0364.680	£537

CR = Corner Radius








All prices are inclusive of VAT

		Dimensions (mm)				Installation			Plumbing Kit	Finish & Colour options	FUN Number	Sink only Price
Cabinet Size	Overall Size	Bowl Size(s)	Cut out Size	Inset	Undermount	Beifast						
Mythos Slim-Top MMX 211		500	1000 x 520	450 x 400 x 175	991 x 511 cr=10	■			S1	Silk	LHD 127.0364.670 RHD 127.0364.671	£610
Mythos Slim-Top MMX 251		600	1000 x 520	340 x 400 x 175 160 x 400 x 130	991 x 511 cr=10	■			S2	Silk	LHD 127.0364.673 RHD 127.0364.674	£711
Mythos Slim-Top MMX 261		600	1000 x 520	340 x 400 x 175 160 x 400 x 130	991 x 511 cr=10	■			S2	Silk	LHD 127.0364.675 RHD 127.0364.676	£711
Planar Slim-Top PPX 211		600	1000 x 510	470 x 410 x 200	980 x 492 cr=20	■			S1	Silk	LHD 127.0203.465 RHD 127.0203.464	£690
Planar Slim-Top PPX 251		600	1000 x 510	340 x 410 x 200 160 x 410 x 155	980 x 492 cr=20	■			S2	Silk	LHD 127.0203.468 RHD 127.0203.467	£828
Rondo RNX 610		500	Ø339	Ø339 x 150 depth	Ø324	■			S1	Brushed	113.0159.657	£180
Rotondo RBX 610		500	Ø440	Ø395 x 170 depth	Ø425	■			S1	Brushed	101.0033.751	£247
Rotondo RBX 604 Drainer		500	Ø440	Ø395 x 35 depth	Ø425	■			S1	Polished	101.0050.182	£167
Sinos SNX 211		400	780 x 510	360 x 390 x 175	767 x 497 cr=64	■			S1	Silk	LHD 127.0364.681 RHD 127.0364.683	£475
Sinos SNX 251		600	965 x 510	360 x 390 x 175 160 x 390 x 120	952 x 497 cr=64	■			S2	Silk	LHD 127.0364.684 RHD 127.0364.688	£581
Sinos SNX 261		600	965 x 510	360 x 390 x 175 160 x 390 x 120	952 x 497 cr=64	■			S2	Silk	LHD 127.0364.712 RHD 127.0364.713	£581
Studio STX 621-E		900 x 900 corner	830 x 830	340 x 400 x 200 300 x 340 x 190	Utilise template	■			S2	Silk	LHD 101.0001.045 RHD 101.0001.044	£401
Utility 50 UTX 610		600	500 x 450	450 x 400 x 240	460 x 410 cr=50	■			S1	Brushed	113.0159.658	£256

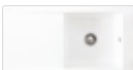



Glass Inset Sinks

Kubus KBV 611		500	1000 x 530	450 x 400 x 180	980 x 510 cr=10	■			S1	Black	LHD 101.0052.390 RHD 101.0052.393	£662
Kubus KBV 651		600	1000 x 530	340 x 400 x 175 160 x 400 x 130	980 x 510 cr=10	■			S2	Black	LHD 101.0052.397 RHD 101.0052.398	£834

CR = Corner Radius

		Dimensions (mm)				Installation			Plumbing Kit	Finish & Colour options	FUN Number	Sink only Price
		Cabinet Size	Overall Size	Bowl Size(s)	Cut out Size	Inset	Undermount	Belfast				
Mythos MTG 611		600	1000 x 515	500 x 390 x 200	984 x 499 cr=10	■		■	S1	Polar White	LHD 114.0045.906 RHD 114.0046.305	£450
										Coffee	LHD 114.0153.473 RHD 114.0153.475	£450
										Onyx	LHD 114.0153.448 RHD 114.0153.471	£450
										Stone Grey		£450
										Oyster	LHD 114.0312.699 RHD 114.0312.700	£450
Mythos MTG 651-100		600	1000 x 515	360 x 390 x 200 160 x 390 x 140	984 x 499 cr=10	■		■	S1	Polar White	LHD 114.0046.313 RHD 114.0046.314	£466
				Coffee						LHD 114.0153.482 RHD 114.0153.483	£466	
				Onyx						LHD 114.0153.479 RHD 114.0153.480	£466	
				Stone Grey							£466	
				Oyster						LHD 114.0312.701 RHD 114.0312.702	£466	
Mythos Fusion MTF 611		600	1000 x 515	500 x 390 x 200	984 x 499 cr=10	■		■	S1	Onyx	LHD 114.0260.696 RHD 114.0260.698	£514
Mythos Fusion MTF 651-100		600	1000 x 515	360 x 390 x 200 160 x 390 x 140	984 x 499 cr=10	■		■	S2	Onyx	LHD 114.0260.722 RHD 114.0260.723	£534
Pebel PBG 611-970		600	970 x 500	450 x 425 x 200	950 x 480 cr=80	■		■	S1	Polar White	REV 114.0251.255	£409
										Coffee	REV 114.0251.252	£409
										Onyx	REV 114.0251.254	£409
										Stone Grey		£409
										Oyster	REV 114.0312.751	£409
Pebel PBG 651		600	970 x 500	340 x 425 x 200 160 x 285 x 130	950 x 480 cr=80	■		■	S1	Polar White	REV 114.0251.262	£424
				Coffee						REV 114.0251.260	£424	
				Onyx						REV 114.0251.261	£424	
				Stone Grey							£424	
				Oyster						REV 114.0312.752	£424	
Rotondo RBG 610		500	Ø444	Ø400 x 185 depth	Ø430	■		■	S1	Polar White	114.0067.747	£277

Ceramic Inset Sinks



Aspen ANK 611		600	1000 x 510	430 x 410 x 182 Ext. bowl depth: 220	N/A	■		■	S1	White	124.0318.857	£474
Belfast VBK 710		600	600 x 500	565 x 430 x 180 Ext. bowl depth: 200	N/A	■		■	S1	White	130.0049.875	£419
Belfast VBK 720		800	800 x 500	370 x 465 x 200 370 x 465 x 200 Ext. bowl depth: 220	N/A	■		■	S2	White	130.0049.876	£586
Mythos MTK 611		600	1000 x 510	505 x 350 x 200	970 x 480 cr=20	■		■	S1	White	LHD 124.0050.117 RHD 124.0050.118	£576
										Black	LHD 124.0050.119 RHD 124.0050.120	£652

CR = Corner Radius


All prices are inclusive of VAT

www.franke.co.uk

99

		Dimensions (mm)				Installation			Plumbing Kit	Finish & Colour options	FUN Number	Sink only Price
Cabinet Size	Overall Size	Bowl Size(s)	Cut out Size	Inset	Undermount	Beifast						
Mythos MTK 651		600	1000 x 510	300 x 350 x 200 175 x 350 x 155	970 x 480 cr=20	■			S2	White	LHD 124.0050.121 RHD 124.0050.122	£656
										Black	LHD 124.0050.123 RHD 124.0050.124	£740
V&B VBK 651		600	1000 x 510	345 x 400 x 170 140 x 250 x 110	970 x 470 cr=20	■			S2	White	LHD 124.0049.872 RHD 124.0049.873	£634

Stainless Steel Undermount Sinks






Centinox CMX 110 17		400		170 x 410 x 130	Utilise template		■		S1	Silk	112.0360.016	£287
Centinox CMX 110 34		450		340 x 410 x 175	Utilise template		■		S1	Silk	122.0360.018	£318
Centinox CMX 110 50		600		500 x 410 x 175	Utilise template		■		S1	Silk	122.0360.019	£390
Centinox CMX 160 34-17		600		340 x 410 x 175 170 x 410 x 130	Utilise template		■		S2	Silk	RHSB 122.0360.020	£514
Hydros Undermount HDX 160 34-15		600		340 x 435 x 175 155 x 340 x 120	Utilise template		■		S2	Silk	LHSB 122.0319.755 RHSB 122.0319.758	£421
Kubus KBX 104 45 Drainer		500		450 x 400 x 25	Utilise template		■		S1	Silk	112.0167.966	£261
Kubus KBX 110 16		300		160 x 340 x 130	Utilise template		■		S1	Silk	112.0043.864	£261
Kubus KBX 110 20		300		200 x 400 x 150	Utilise template		■		S1	Silk	112.0043.874	£277
Kubus KBX 110 34		500		340 x 400 x 175	Utilise template		■		S1	Silk	122.0036.607	£278
Kubus KBX 110 45		600		450 x 400 x 180	Utilise template		■		S1	Silk	122.0036.608	£326
Kubus KBX 110 55		600		550 x 400 x 190	Utilise template		■		S1	Silk	122.0036.609	£392
Kubus KBX 110 70		800		700 x 400 x 230	Utilise template		■		S1	Silk	122.0433.267	£440
Kubus KBX 160 34-16		600		340 x 400 x 175 160 x 340 x 130	Utilise template		■		S2	Silk	LHSB 122.0033.122 RHSB 122.0033.137	£457

CR = Corner Radius


		Dimensions (mm)			Installation			Plumbing Kit	Finish & Colour options	FUN Number	Sink only Price
Cabinet Size	Overall Size	Bowl Size(s)	Cut out Size	Inset	Undermount	Belfast					
Kubus KBX 160 45-20		800	450 x 400 x 180 200 x 400 x 150	Utilise template		■		S2	Silk LHSB 122.0033.140 RHSB 122.0033.141	£490	
Kubus KBX 160 55-20		900	550 x 400 x 180 200 x 400 x 150	Utilise template		■		S2	Silk LHSB 122.0176.486 RHSB 122.0176.488	£519	
Kubus KBX 120 34-34		900	340 x 400 x 175 340 x 400 x 175	Utilise template		■		S2	Silk 122.0061.524	£532	
Largo LAX 110 45		500	445 x 390 x 175	Utilise template		■		S1	Silk 122.0066.736	£238	
Largo LAX 110 50		600	500 x 350 x 180	Utilise template		■		S1	Silk 122.0181.453	£303	
Largo LAX 110 50-41		600	500 x 410 x 175	Utilise template		■		S1	Silk 122.0250.208	£316	
Largo LAX 120 36-36		900	360 x 390 x 175 360 x 390 x 175	Utilise template		■		S2	Silk 122.0156.181	£487	
Largo LAX 160 36-16		600	360 x 390 x 175 160 x 390 x 120	Utilise template		■		S2	Silk LHSB 122.0156.345 RHSB 122.0156.346	£484	
Largo LAX 120 45-30		900	445 x 390 x 175 300 x 340 x 160	Utilise template		■		S2	Silk RHSB 122.0156.343	£470	
Peak PKX 110 18		300	180 x 420 x 180	Utilise template		■		S1	Silk 122.0155.580	£362	
Peak PKX 110 34		500	340 x 420 x 180	Utilise template		■		S1	Silk 122.0155.596	£395	
Peak PKX 110 45		600	450 x 420 x 180	Utilise template		■		S1	Silk 122.0155.597	£417	
Peak PKX 110 55		600	550 x 420 x 180	Utilise template		■		S1	Silk 122.0155.599	£448	
Peak PKX 110 70		800	700 x 420 x 180	Utilise template		■		S1	Silk 122.0155.598	£508	
Peak PKX 160 34-18		600	340 x 420 x 180 180 x 420 x 180	Utilise template		■		S2	Silk LHSB 122.0156.173 RHSB 122.0156.176	£720	
Rotondo RUX 110		500	Ø395 x 170	Utilise template		■		S1	Silk 127.0050.183	£250	

CR = Corner Radius


















All prices are inclusive of VAT

		Dimensions (mm)			Installation			Plumbing Kit	Finish & Colour options	FUN Number	Sink only Price
		Cabinet Size	Overall Size	Bowl Size(s)	Cut out Size	Inset	Undermount				
Kubus KBG 110 16		300	160 x 400 x 130	Utilise template			S1	Polar White	125.0046.869	£206	
								Onyx	125.0153.530	£206	
								Coffee	125.0153.538	£206	
								Oyster	125.0312.753	£206	
								Stone Grey		£206	
Kubus KBG 110 34		400	340 x 400 x 210	Utilise template			S1	Polar White	125.0046.871	£303	
								Onyx	125.0153.567	£303	
								Coffee	125.0153.575	£303	
								Oyster	125.0312.757	£303	
								Stone Grey		£303	
Kubus KBG 110 50		600	500 x 400 x 210	Utilise template			S1	Polar White	125.0046.874	£343	
								Onyx	125.0153.594	£343	
								Coffee	125.0153.599	£343	
								Oyster	125.0312.758	£343	
								Stone Grey		£343	
Kubus KBG 160		600	340 x 400 x 210 160 x 400 x 130	Utilise template			S2	Polar White	RHSB 125.0046.877	£400	
								Onyx	RHSB 125.0153.622	£400	
								Coffee	RHSB 125.0153.630	£400	
								Oyster	RHSB 125.0312.759	£400	
								Stone Grey		£400	
Rotondo RUG 110		500	Ø400 x 185	Utilise template			S1	Polar White	125.0046.890	£277	
								Graphite	125.0046.888	£277	
















Ceramic Undermount Sinks

Kubus KBK 110 40		500	405 x 385 x 175	Utilise template			S1	White	126.0330.592	£485
Kubus KBK 110 50		600	505 x 385 x 185	Utilise template			S1	White	126.0330.603	£545
Kubus KBK 160		600	375 x 385 x 185 115 x 385 x 115	Utilise template			S2	White	126.0330.614	£645
Rotondo RUK 110		500	Ø400 x 180	Utilise template			S1	White	126.0396.079	£450
V&B VBK 160		600	343 x 390 x 173 136 x 272 x 103	Utilise template			S2	White	LHSB 126.0050.115	£515
								Black	LHSB 126.0066.532	£610
V&B VBK 110 21		400	210 x 390 x 180	Utilise template			S1	White	126.0066.541	£298
								Black	126.0066.542	£385
V&B VBK 110 33		500	325 x 390 x 175	Utilise template			S1	White	126.0066.547	£385
								Black	126.0066.550	£479
V&B VBK 110 50		600	500 x 390 x 200	Utilise template			S1	White	126.0184.378	£434
								Black	126.0184.379	£516

CR = Corner Radius

Tap Model	Image	Dimensions (mm)					Features										Valve(s)		Pressure		Finish	FUN Number	Price		
		Tap Height	Spout Reach	Base Diameter	Tap Cut-out Diameter	Handspray Base Diameter	Spray Cut-out Diameter	Perlator	Filtered Water	Instant Boiling Water	Pull-Out Spray	Pull-Out Nozzle	Directional Nozzle	LED Lighting	Hand-Spray	Side-Spray (cold water only)	Colour Levers available	Ceramic Disc Valve(s)	Compression Valve(s)	Hot Flow Rate at 0.3 bar (litres/min)				Suitable for low pressure	
Arena Pull-Out Spray		443	196	50	35														2.1		Chrome	115.0158.969	£458		
																					SilkSteel PVD	115.0158.970	£496		
Atlas		289	215	54	35														*		Stainless Steel	115.0363.817	£256		
Aria Pull-Out Nozzle		326.5	173.5	50	35														2.45		Chrome	115.0158.974	£351		
																					SilkSteel PVD	115.0158.975	£389		
Augusta		322	193	48	3x32															2.3		Chrome	115.0311.209	£315	
				(2x45)	(max)																	SilkSteel	115.0311.210	£347	
Belfast Pull-Out Nozzle		463	250	50	35															2.30		Chrome	115.0049.997	£288	
																						SilkSteel	115.0049.998	£308	
Bern		268	202	48	35															3.60		Chrome	115.0153.231	£262	
																						SilkSteel	115.0183.882	£297	
Bridge		355	192	50	25															6.15	■	Chrome	115.0049.960	£198	
				x2	x2																	SilkSteel	115.0049.962	£225	
Bridge Lever		355	192	50	25															6.15	■	Chrome	115.0049.962	£225	
				x2	x2																	SilkSteel	115.0049.963	£242	
Cristallo		320	215	48	35																2.65		Chrome	115.0433.941	£199
																							SilkSteel	115.0433.942	£220
Davos		257	224	55	35																4.50	■	Chrome	115.0046.694	£153
																							SilkSteel	115.0046.695	£185
Davos 'J'		398	216	55	35																4.50	■	Chrome	115.0050.044	£153
																							SilkSteel	115.0049.940	£185
Eiger		380	230	55	35																4.50	■	Chrome	115.0049.989	£202
																							SilkSteel	115.0049.990	£220
Eos		418	183	54	35																2.80		Stainless Steel	115.0063.568	£269
Forza		317	219	50	35																3.35		Chrome	115.0433.943	£255
Franke FilterFlow Corinthian		413	216	60	35																3.90		Chrome	120.0184.665	£645
																							SilkSteel	120.0184.666	£698
Franke FilterFlow Doric		404	216	56	35																3.90		Chrome	120.0180.356	£667
																							SilkSteel	120.0180.357	£727
Franke FilterFlow Kubus		374	240	50	35																2.90		Chrome	120.0180.354	£667
																							SilkSteel	120.0180.355	£727

* Information unavailable at time of going to print. See www.franke.co.uk/flowrates

Tap Model	Dimensions (mm)						Features										Valve(s)		Pressure		Finish	FUN Number	Price	
	Tap Height	Spout Reach	Base Diameter	Tap Cut-out Diameter	Handspray Base Diameter	Spray Cut-out Diameter	Perlator	Filtered Water	Instant Boiling Water	Pull-Out Spray	Pull-Out Nozzle	Directional Nozzle	LED Lighting	Hand-Spray	Side-Spray (cold water only)	Colour Levers available	Ceramic Disc Valve(s)	Compression Valve(s)	Hot Flow Rate at 0.3 bar (litres/min)	Suitable for low pressure				
Franke FilterFlow Kubus		374	240	50	35			■									■		2.90		Chrome	120.0180.354	£667	
																					SilkSteel	120.0180.355	£727	
Franke FilterFlow Olympus		383	216	54	35			■									■		3.90		Chrome	120.0180.352	£667	
																					SilkSteel	120.0180.353	£727	
Franke FilterFlow Corinthian Hand Spray		413	216	60	35	50	30		■					■			■		2.10		Chrome	120.0187.986	£872	
																					SilkSteel	120.0187.987	£969	
Franke FilterFlow Doric Hand Spray		404	216	56	35	50	30		■					■			■		2.10		Chrome	120.0187.984	£872	
																					SilkSteel	120.0187.985	£969	
Franke FilterFlow Kubus Hand Spray		374	240	50	35	50	30		■					■			■		2.30		Chrome	120.0187.982	£918	
																					SilkSteel	120.0187.983	£1002	
Franke FilterFlow Olympus Hand Spray		383	216	54	35	50	30		■					■			■		2.30		Chrome	120.0184.896	£918	
																					SilkSteel	120.0185.410	£1002	
Franke FilterFlow Mini		235	122	32	20			■											N/A		Chrome	120.0187.409	£245	
																					SilkSteel	120.0187.422	£265	
Fuji		390	220	48	35			■											2.80		Chrome	115.0250.326	£248	
																					SilkSteel	115.0250.327	£265	
Fuji Pull-Out Nozzle		390	230	48	35			■		■									3.20		Chrome	115.0280.225	£264	
																					SilkSteel	115.0280.227	£283	
Maris		319	197	48	35												■		2.7		Chrome	115.0311.218	£263	
																					SilkSteel	115.0311.219	£290	
Maris Pull-Out Spray		284	207	48	35			■		■									1.7		Chrome	115.0363.793	£294	
																					SilkSteel	115.0363.795	£314	
Minerva		362.5	189	50	35															*	*	Chrome	119.0281.578	£999
Minerva Irena		334.5	190	50	35															1.9		Chrome	119.0281.579	£999
Minerva Helix		407	191	54	35															1.9		Stainless Steel	119.0273.069	£1100
Minerva Mondial		330	200	54	35															1.9		Stainless Steel	119.0273.102	£1110

* Information unavailable at time of going to print. See www.franke.co.uk/flowrates

Tap Model	Dimensions (mm)						Features										Valve(s)		Pressure		Finish	FUN Number	Price
	Tap Height	Spout Reach	Base Diameter	Tap Cut-out Diameter	Handspray Base Diameter	Spray Cut-out Diameter	Perlator	Filtered Water	Instant Boiling Water	Pull-Out Spray	Pull-Out Nozzle	Directional Nozzle	LED Lighting	Hand-Spray	Side-Spray (cold water only)	Colour Levers available	Ceramic Disc Valve(s)	Compression Valve(s)	Hot Flow Rate at 0.3 bar (litres/min)	Suitable for low pressure			
Mythos MTG (Onyx Shoulders)	365	185	46	35													■		4.38	■	Chrome	115.0049.967	£346
Mythos MTX	365	185	46	35													■		4.38	■	Chrome	115.0049.965	£340
																					SilkSteel	115.0049.966	£353
Nyon	328	220	54	35													■		*		Stainless Steel	115.0382.807	£256
Olympus	390	220	60	35			■										■		4.60	■	Chrome	115.0049.980	£236
																					SilkSteel	115.0049.979	£252
Olympus Side-Spray	390	220	60	35	50	30	■										■		2.10		Chrome	115.0051.538	£368
Olympus Spring	540	189	60	35						■									3.30		Chrome	115.0184.404	£324
																					SilkSteel	115.0311.190	£347
Omni	385	215	42	35													■		2.4		Stainless Steel	119.0380.520	£1349
Omni Classic	385	215	50	35													■		2.4		Stainless Steel	119.0438.426	£1349
Panto	403	180	54	35													■		2.6		Stainless Steel	115.0063.559	£254
Planar	358	191	44	35			■										■		4.83	■	Chrome	115.0049.999	£341
																					SilkSteel	115.0050.000	£360
Rolux Pull-Out Nozzle	404	225	52	35			■			■		■					■		2.0		Chrome	115.0068.025	£718
Rotaflow	320	190	45	35			■				■								4.70	■	Chrome	115.0251.257	£123
																					SilkSteel	115.0251.258	£140
Sinos	275	218	48	35															2.90		Chrome	115.0277.025	£290
																					SilkSteel	115.0277.028	£322
Sirino	478	195	48	35			■		■								■		2.82		Chrome	115.0433.944	£299
Star	177.5	200	50	35			■										■		3.15		Chrome	115.0263.762	£290
																					SilkSteel PVD	115.0263.763	£322
Swiss Pro Pull-Out Spray	698	267	54	35			■		■								■		2.1		Stainless Steel	115.0192.872	£551
Valais	362	210	55	35			■										■		*		Stainless Steel	115.0364.026	£232
Venician	344	193	60	35													■		4.30	■	Chrome	115.0184.669	£296
																					SilkSteel	115.0184.670	£353

Hood Model

Decorative Format

FDL 12274 XS-CH



Downdraft

FDW 908 IB XS



Galaxy

FGA 1000 FX WM EU16



Galaxy Slim

FGA 1000 FX EU16



Glass Curved

FGC 615 XS



FGC 906 XS-CH



Glass Linear

FGL 7015 XS



FGL 9015 XS



Glass Linear Island

FGL 915 I XS



Maris Built Under

FCBU 1204 C WH



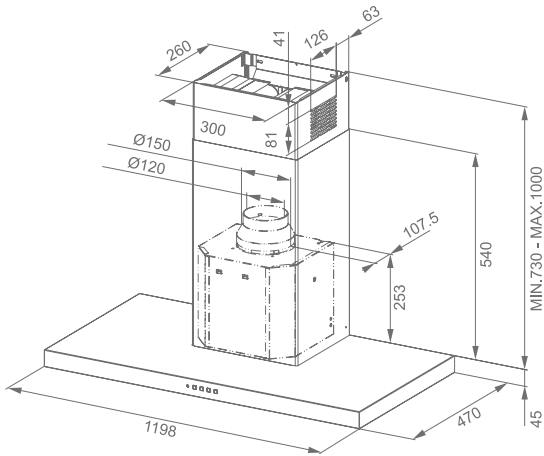
Hood type	Width (cm)	Finish	Control	Motor	Power consumption motor (W)	Extraction speed setting	Energy Rating	Automatic cut-off timer	Continuous 24 hr ventilation	Digital display	Filtering function	Perimetric extraction	Easy fit installation	Filter saturation indicator	Comfort light	Remote control	Decibel rating at 400m ³ /h	Outlet tube diameter (mm)	Recommended positioning height above electric hob (mm)	Recommended positioning height above gas hob (mm)	FUN number	Price
Decorative Format																						
FDL 12274 XS-CH	Wall	120	Stainless Steel	Electronic	Brushless	330	4+	A	■	■	■	■	■	■	Opt.	B	150	650	750	110.0277.726	£599	
Downdraft																						
FDW 908 IB XS	Hidden	88	Black Glass	Touch control	Energy 800+	275	4+	B	■		■	■		■	■	Opt.	C	150	N/A	N/A	110.0365.588	£1576
Galaxy																						
FGA 1000 FX WM EU16	Ceiling	100	Stainless Steel	Remote	Energy 1000 (Separate motor)	275	4+	N/A	■	■	■	■	■	■	■	■	A	150	Min 650 Max 1500	Min 750 Max 1500	110.0355.704	£1419
Galaxy Slim																						
FGA 1000 FX EU16	Ceiling	100	Stainless Steel	Remote	Energy 1000	275	4+	B	■	■	■	■	■	■	■	■	A	150	Min 650 Max 1500	Min 750 Max 1500	110.0355.703	£1579
Glass Curved																						
FGC 615 XS	Wall	60	Stainless Steel/ Glass	Electronic	Energy 500	145	3	E			■	■				C	150	650	750	110.0152.529	£273	
FGC 906 XS-CH	Wall	90	Stainless Steel/ Glass	Electronic	Energy 800	250	3+	C	■	■	■	■				C	150	650	750	110.0029.822	£366	
Glass Linear																						
FGL 7015 XS	Wall	70	Stainless Steel/ Glass	Electronic	Energy 500	145	3	E			■	■				D	150	650	750	110.0152.537	£238	
FGL 9015 XS	Wall	90	Stainless Steel/ Glass	Electronic	Energy 500	145	3	E			■	■				D	150	650	750	110.0152.538	£273	
Glass Linear Island																						
FGL 915 I XS	Island	90	Stainless Steel/ Glass	Electronic	Energy 800	250	3+	D			■					A	150	650	750	110.0152.543	£690	
Maris Built Under																						
FCBU 1204 C WH	Ceiling	120	Stainless Steel/ White Glass	Remote	Radical	108	3+	N/A	■		■	■	■	■	■	C	N/A	Min 650 Max 1500	Min 750 Max 750	110.0338.390	£1499	

* Information unavailable at time of going to print. See www.franke.co.uk/flowrates

Hood Model	Hood type	Width (cm)	Finish	Control	Motor	Power consumption motor (W)	Extraction speed setting	Energy Rating	Automatic cut-off timer	Continuous 24 hr ventilation	Digital display	Filtering function	Perimetric extraction	Easy fit installation	Filter saturation indicator	Comfort light	Remote control	Decibel rating at 400m ³ /h	Outlet tube diameter (mm)	Recommended positioning height above electric hob (mm)	Recommended positioning height above gas hob (mm)	FUN number	Price
Maris Plus																							
FMPL 606 BK B 	Wall	60	Black Glass	Ghost control	Brushless	272	4+	A+	■		■	■	■		■	■	Opt.	B	150	450	500	110.0338.340	£699
FMPL 806 BK B 	Wall	80	Black Glass	Ghost control	Brushless	272	4+	A+	■		■	■	■		■	■	Opt.	B	150	450	500	110.0338.355	£749
FMPL 906 BK B 	Wall	90	Black Glass	Ghost control	Brushless	272	4+	A+	■		■	■	■		■	■	Opt.	B	150	450	500	110.0338.357	£789
Maris T-Shape Island																							
FGB 906 IS AC 	Island	90	Stainless Steel/Black Glass	Soft push	Brushless	276	4+	A	■		■	■	■		■	■		C	150	650	750	110.0338.388	£1499
Maris T-Shape Wall																							
FGB 906 W AC 	Wall	90	Stainless Steel/Black Glass	Soft push	Brushless	276	4+	A	■		■	■	■		■	■		C	150	650	750	110.0338.359	£1299
Sinos																							
FSN 908 BK A-CH 	Wall	90	Stainless Steel/Black Glass	Touch control	Brushless	270	8+	A	■	■		■	■	■	■	■	Opt.	A	150			110.0310.268	£999
FSN 908 WH A-CH 	Wall	90	Stainless Steel/White Glass	Touch control	Brushless	270	8+	A	■	■		■	■	■	■	■	Opt.	A	150			110.0310.270	£999
Swing																							
FSW 918 TC W BK XS-CH V2 	Wall	90	Stainless Steel/Black Glass	Ghost control	Brushless	330	8+	B	■	■	■	■			■	■	Opt.	A	150	250	350	110.0277.553	£1713
FSW 918 TC W WH XS-CH V2 	Wall	90	Stainless Steel/White Glass	Ghost control	Brushless	330	8+	B	■	■	■	■			■	■	Opt.	A	150	250	350	110.0277.573	£1656
Tube Island																							
FTU 3807 I XS 77H 	Island	Ø37	Stainless Steel	Electronic	Energy 800+	275	3+	B	■	■	■	■	■		■	■	Opt.	B	150	650	750	110.0361.049	£799
Tube Wall																							
FTU 3807 W XS 70H 	Wall	Ø37	Stainless Steel	Electronic	Energy 800+	250	3+	B	■	■	■	■	■		■	■	Opt.	B	150	650	750	110.0361.048	£489

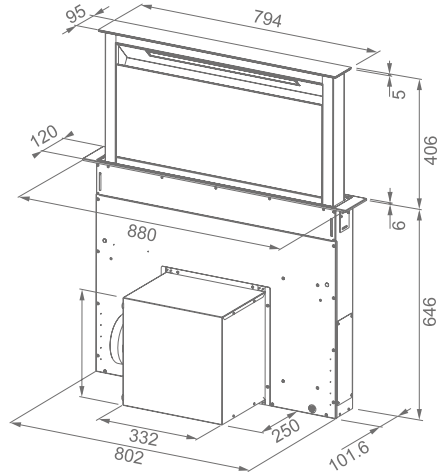
HOOD DIMENSIONS

Decorative Format



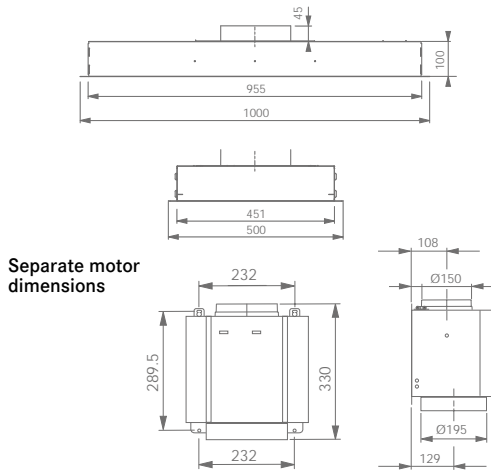
	NOISE LEVEL	CAPACITY
	DIN EN 60704-3 DB(A)	DIN IEC 61591 M³/H
Min:	43	210
Max:	68	620
Intensive:	74	820
MODEL:	FDX 12274 XS-CH	
Illumination:	Halogen 3 x 28W	
Filter type:	B	
Grease filter:	Stainless Steel	

Downdraft



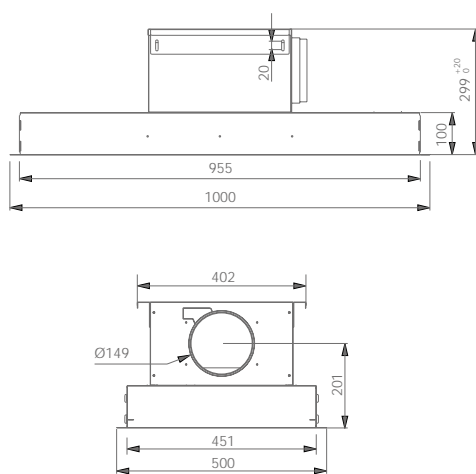
	NOISE LEVEL	CAPACITY
	DIN EN 60704-3 DB(A)	DIN IEC 61591 M³/H
Min:	38	160
Max:	57	420
Intensive:	69	670
MODEL:	FDW 908 IB XS	
Illumination:	LED bar 1 x 10W	
Filter type:	E	
Grease filter:	Aluminium Cassette	

Galaxy WM



	NOISE LEVEL	CAPACITY
	DIN EN 60704-3 DB(A)	DIN IEC 61591 M³/H
Min:	N/A	N/A
Max:	N/A	N/A
Intensive:	N/A	N/A
MODEL:	FGA 1000 FX WM EU16	
Illumination:	Halogen 4 x 30W	
Filter type:	A	
Grease filter:	Stainless Steel	

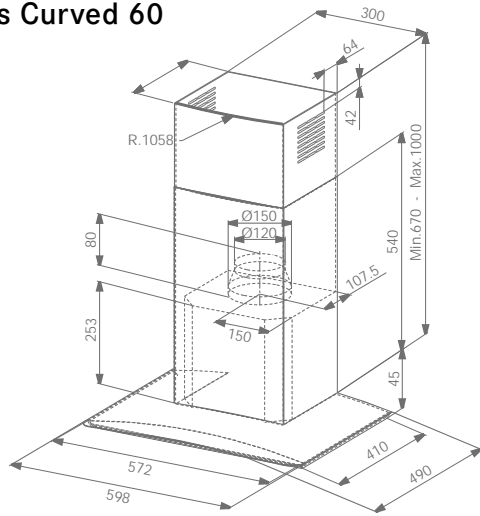
Galaxy



	NOISE LEVEL	CAPACITY
	DIN EN 60704-3 DB(A)	DIN IEC 61591 M³/H
Min:	52	310
Max:	68	680
Intensive:	70	770
MODEL:	FGA 1000 FX EU16	
Illumination:	Halogen 4 x 30W	
Filter type:	A	
Grease filter:	Stainless Steel	

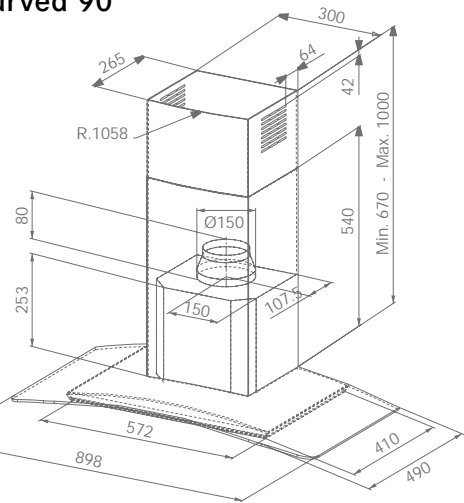
HOOD DIMENSIONS

Glass Curved 60



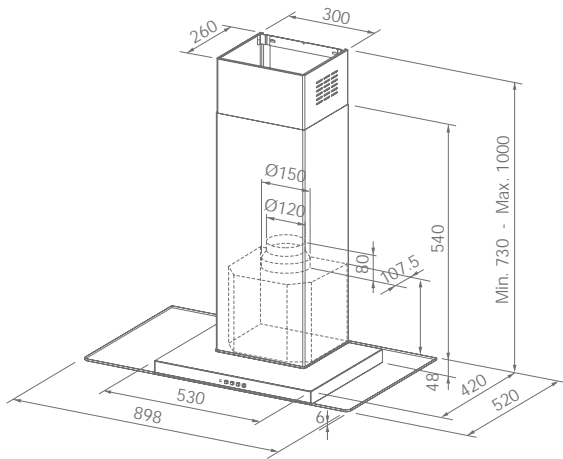
	NOISE LEVEL	CAPACITY
	DIN EN 60704-3 DB(A)	DIN IEC 61591 M³/H
Min:	50	210
Max:	66	410
Intensive:	N/A	N/A
MODEL:	FGC 615 XS	
Illumination:	Halogen 2 x 20W	
Filter type:	B	
Grease filter:	Stainless Steel	

Glass Curved 90



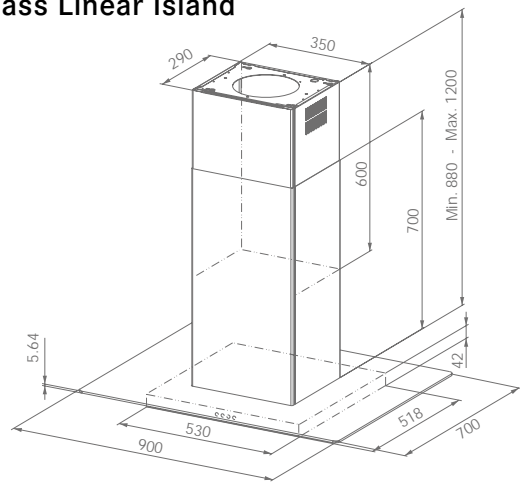
	NOISE LEVEL	CAPACITY
	DIN EN 60704-3 DB(A)	DIN IEC 61591 M³/H
Min:	51	300
Max:	67	600
Intensive:	70	670
MODEL:	FGC 906 XS-CH	
Illumination:	Halogen 2 x 20W	
Filter type:	B	
Grease filter:	Stainless Steel	

Glass Linear



	NOISE LEVEL	CAPACITY
	DIN EN 60704-3 DB(A)	DIN IEC 61591 M³/H
Min:	50	210
Max:	66	410
Intensive:	N/A	N/A
MODEL:	FGL 7015 XS	FGL 9015 XS
Illumination:	Halogen 2 x 28W	Halogen 2 x 28W
Filter type:	B	B
Grease filter:	Aluminium Cassette	Aluminium Cassette

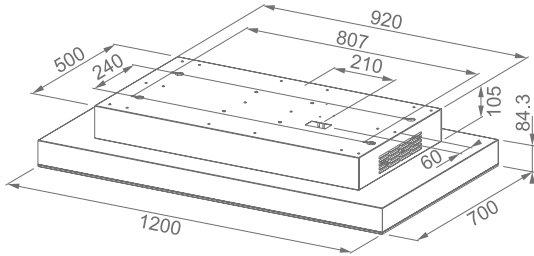
Glass Linear Island



	NOISE LEVEL	CAPACITY
	DIN EN 60704-3 DB(A)	DIN IEC 61591 M³/H
Min:	45	255
Max:	63	540
Intensive:	68	650
MODEL:	FGL 915 I XS	
Illumination:	Halogen 4 x 20W	
Filter type:	B	
Grease filter:	Stainless Steel	

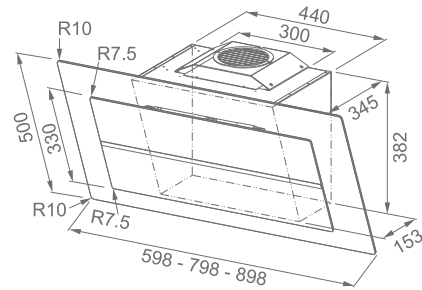
HOOD DIMENSIONS

Maris Built Under



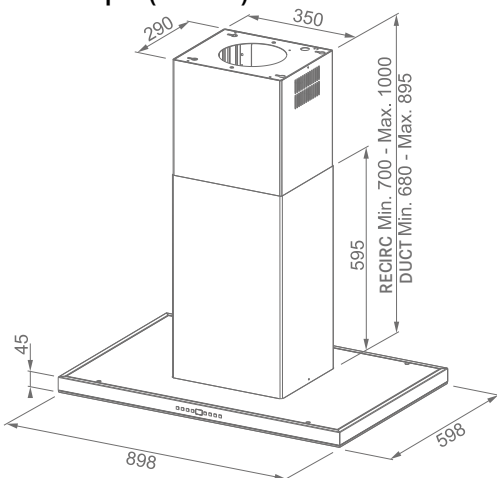
	NOISE LEVEL	CAPACITY
	DIN EN 60704-3 DB(A)	DIN IEC 61591 M ³ /H
Min:	48	110
Max:	62	313
Intensive:	69	430
MODEL:	FCBU 1204 C WH	
Illumination:	LED Bars 2 x 9W	
Filter type:	F	
Grease filter:	Stainless Steel	

Maris Plus



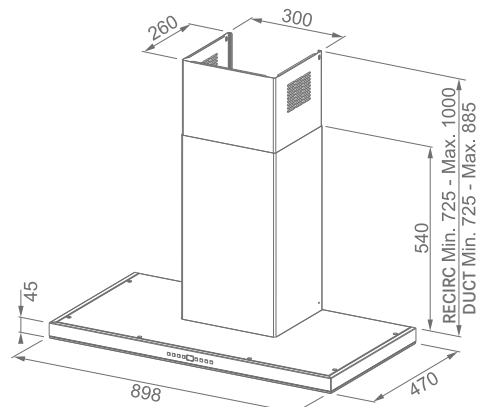
	NOISE LEVEL	CAPACITY
	DIN EN 60704-3 DB(A)	DIN IEC 61591 M ³ /H
Min:	49	280
Max:	67	650
Intensive:	73	870
MODEL:	FMPL 606 BK B / FMPL 806 BK B / FMPL 906 BK B	
Illumination:	LED 2 x 1W	
Filter type:	A	
Grease filter:	Stainless Steel	

Maris T-Shape (Island)



	NOISE LEVEL	CAPACITY
	DIN EN 60704-3 DB(A)	DIN IEC 61591 M ³ /H
Min:	45	210
Max:	67	550
Intensive:	72	700
MODEL:	FGB 906 IS AC	
Illumination:	LED Bars 2 x 3W	
Filter type:	B	
Grease filter:	Stainless Steel	

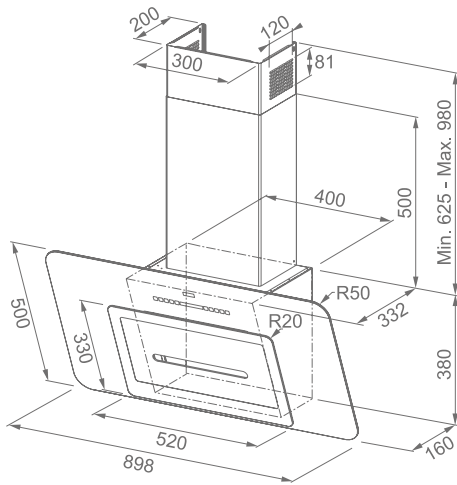
Maris T-Shape (Wall)



	NOISE LEVEL	CAPACITY
	DIN EN 60704-3 DB(A)	DIN IEC 61591 M ³ /H
Min:	45	210
Max:	67	550
Intensive:	72	700
MODEL:	FGB 906 W AC	
Illumination:	LED Bars 2 x 3W	
Filter type:	B	
Grease filter:	Stainless Steel	

HOOD DIMENSIONS

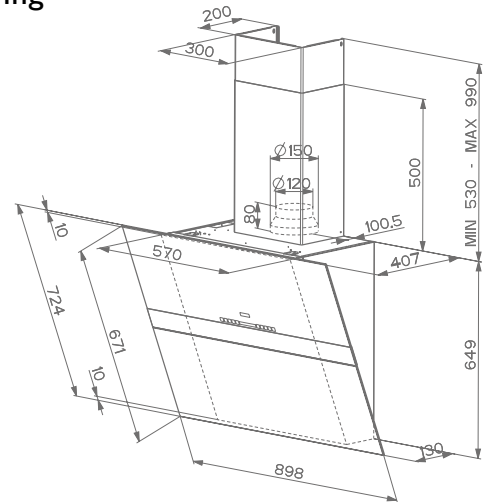
Sinos



	NOISE LEVEL		CAPACITY	
	DIN EN 60704-3 DB(A)		DIN IEC 61591 M³/H	
Min:	42		200	
Max:	67		620	
Intensive:	70		860	

MODEL:	FSN 908 BK A-CH	FSN 908 WH A-CH
illumination:	LED 2 x 5W	LED 2 x 5W
Filter type:	A	A
Grease filter:	Aluminium Cassette	Aluminium Cassette

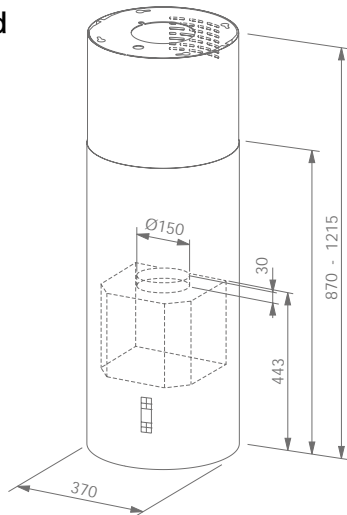
Swing



	NOISE LEVEL		CAPACITY	
	DIN EN 60704-3 DB(A)		DIN IEC 61591 M³/H	
Min:	41		220	
Max:	67		645	
Intensive:	73		880	

MODEL:	FSW 918 TC W BK XS-CH V2	FSW 918 TC W WH XS-CH V2
illumination:	Low LED Bar + Halogen 2 x 20W	Low LED Bar + Halogen 2 x 20W
Filter type:	A	A
Grease filter:	Aluminium Cassette	Aluminium Cassette

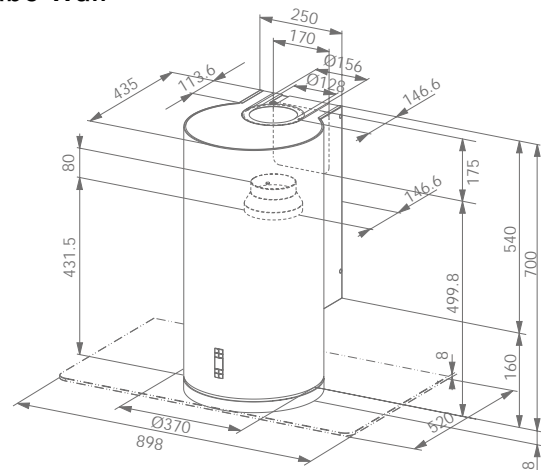
Tube Island



	NOISE LEVEL		CAPACITY	
	DIN EN 60704-3 DB(A)		DIN IEC 61591 M³/H	
Min:	52		280	
Max:	65		575	
Intensive:	68		660	

MODEL:	FTU 3807 I XS 77H
illumination:	Halogen 2 x 20W
Filter type:	B
Grease filter:	Aluminium Cassette

Tube Wall



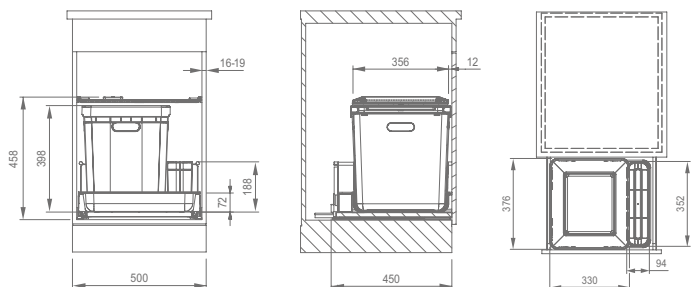
	NOISE LEVEL		CAPACITY	
	DIN EN 60704-3 DB(A)		DIN IEC 61591 M³/H	
Min:	53		280	
Max:	67		510	
Intensive:	70		660	

MODEL:	FTU 3807-P XS 70H
illumination:	Halogen 2 x 20W
Filter type:	B
Grease filter:	Aluminium Cassette

SORTER DIMENSIONS

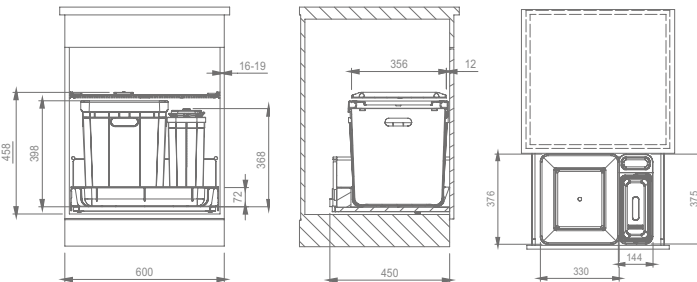
Sorter 350-50

Minimum cabinet size: 500mm	1 x 35L	121.0307.544	£154
-----------------------------	---------	--------------	-------------



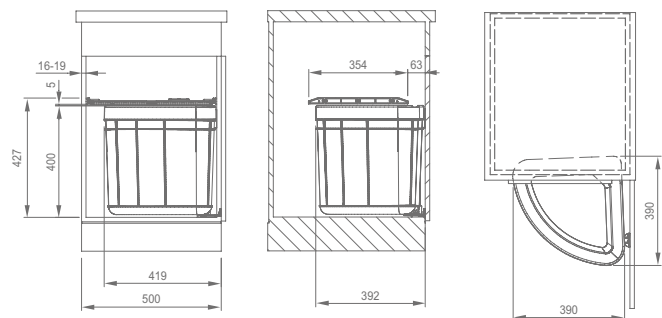
Sorter 350-60

Minimum cabinet size: 600mm	1 x 35L and 1 x 5.5L	121.0307.526	£193
Collect Bag		133.0038.258	£19



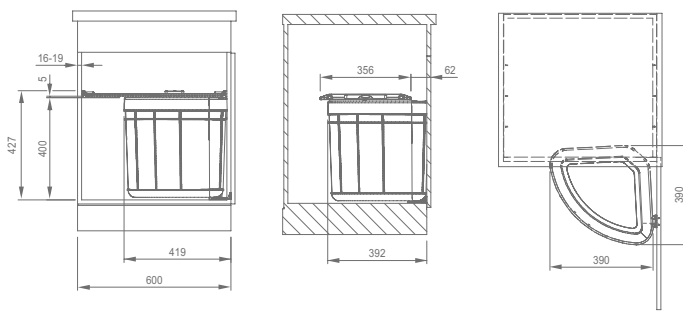
Sorter Solo 50

Minimum cabinet size: 500mm	1 x 35L	121.0307.568	£103
-----------------------------	---------	--------------	-------------



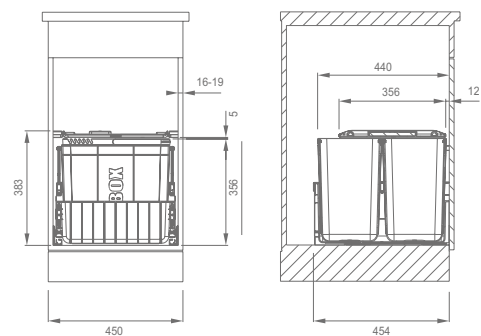
Sorter Solo 60

Minimum cabinet size: 600mm	1 x 35L	121.0307.572	£116
-----------------------------	---------	--------------	-------------



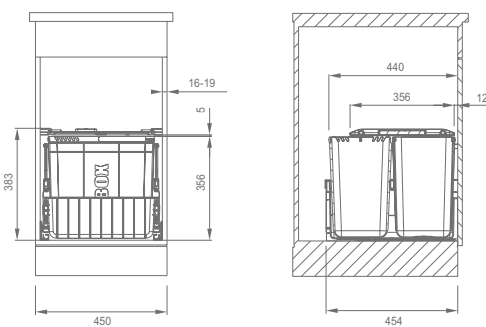
Sorter 300-45 Duo

Minimum cabinet size: 450mm	2 x 22L	121.0150.144	£252
-----------------------------	---------	--------------	-------------



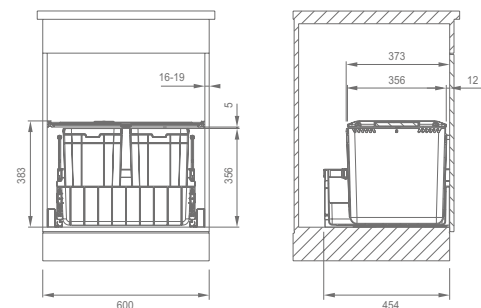
Sorter 300-45 Trio

Minimum cabinet size: 450mm	1 x 22L and 2 x 10L	121.0150.145	£263
-----------------------------	---------------------	--------------	-------------



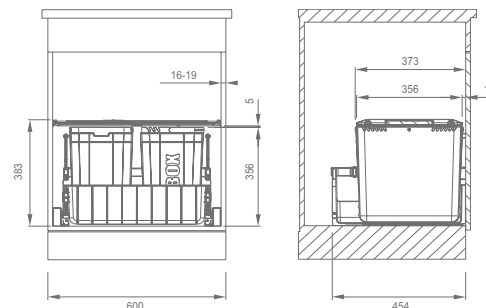
Sorter 300-60 Duo

Minimum cabinet size: 600mm	2 x 22L	121.0150.143	£263
-----------------------------	---------	--------------	-------------



Sorter 300-60 Trio

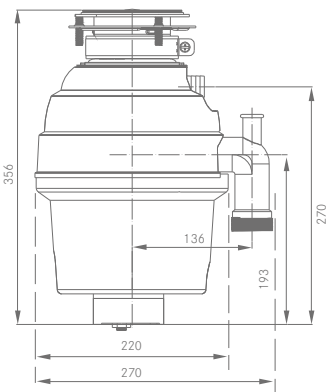
Minimum cabinet size: 600mm	1 x 22L and 2 x 10L	121.0150.146	£273
-----------------------------	---------------------	--------------	-------------



WASTE DISPOSAL UNIT DIMENSIONS

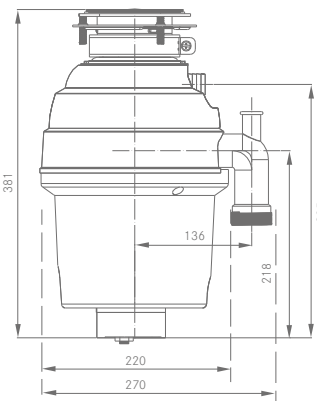
Waste Disposal Unit Turbo Plus TP-50

Continuous Feed	
134.0276.834	£248



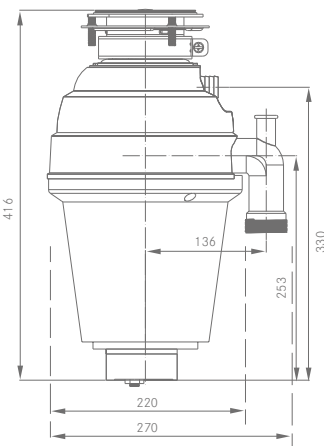
Waste Disposal Unit Turbo Plus TP-75

Continuous Feed	
134.0276.837	£312



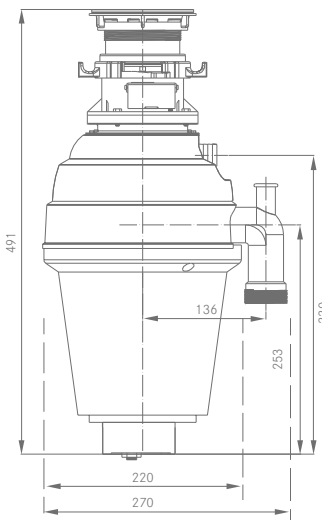
Waste Disposal Unit Turbo Plus TP-125

Continuous Feed	
134.0276.838	£387



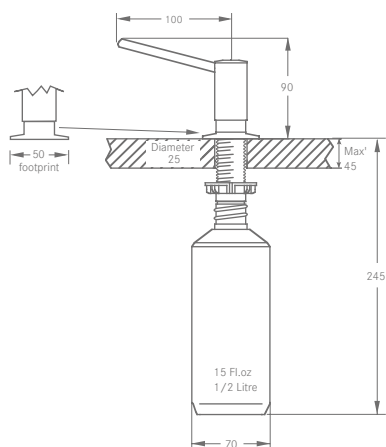
Waste Disposal Unit Turbo Plus TP-125B

Batch Feed	
134.0276.839	£348



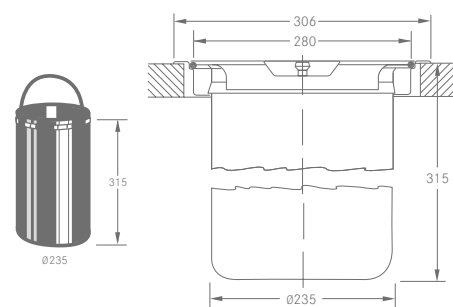
Soap Dispenser

Chrome	119.0049.852	£71
SilkSteel	119.0049.853	£78



Inset Waste Bin

Stainless Steel	134.0035.042	£237
-----------------	--------------	-------------



NB. Ensure WDU dimensions can be accommodated within the specified cabinet width.

All prices are inclusive of VAT

Colours shown are for reference only. All sinks available with left or right hand drainer. The description 'reversible' means that the design enables the same sink to be turned to drainer on the left or drainer on the right. In the case of a 'handed' sink it is necessary to specify which side the drainer is required e.g. MMX 251 left hand drainer or MMX 251 right hand drainer. All bowls sizes and dimensions are described in mm.

Franke sinks are guaranteed against manufacturing defect for 50 years. Franke taps are guaranteed against defective materials and workmanship for 1 year in relation to coatings and finishes (5 years for Portfolio 55 Collection), and 5 years in relation to valve mechanisms. Franke will replace (and where appropriate repair) defective sinks. In relation to taps, Franke will, where appropriate, provide replacement parts for your taps or replace your taps at their discretion. Any associated or ancillary costs to be incurred by you as a result of replacement of Franke sinks and taps under this guarantee shall in all cases be previously approved by Franke UK Limited. This guarantee is in addition to and does not affect your statutory rights.

Franke hoods carry a 2 year warranty against material and manufacturing defects. The warranty will be valid from the date of purchase as shown on the sales invoice. Please keep the invoice for your records. This is a domestic appliance only. The warranty will only be validated when it is used in a domestic environment.

Prices shown are UK mainland prices effective from 1st March 2016 and include VAT at the current rate of 20%. This literature has been produced on chlorine free materials harvested from sustainable forests. The Franke policy is one of continual improvement and Franke reserves the right to alter models and specifications without notice. E & OE.

Member of REPIC for WEEE Regulations. EEE Producer Registration Number - WEE/DG0059TT.



Franke UK Limited
West Park, MIOC
Styal Road
Manchester
M22 5WB

994.0433.782
SP 055/03/16

Phone +44 (0)161 436 6280
Fax +44 (0)161 436 2180
Email info.uk@franke.com
www.franke.co.uk

MAKE IT WONDERFUL

